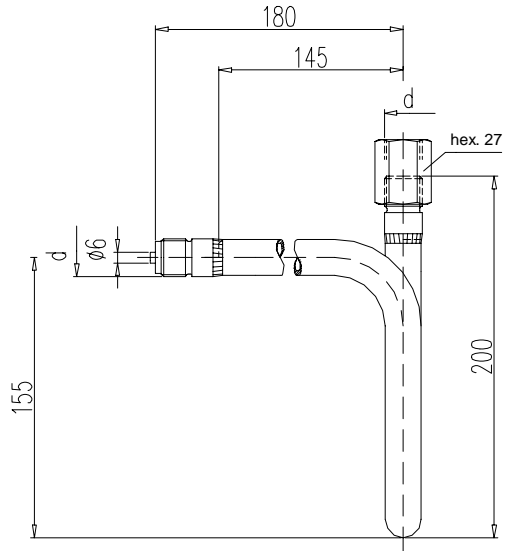
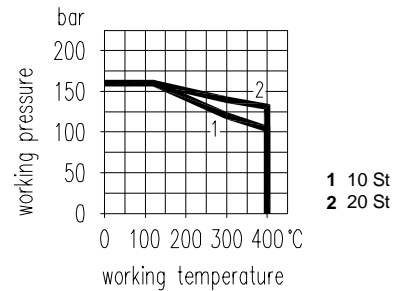
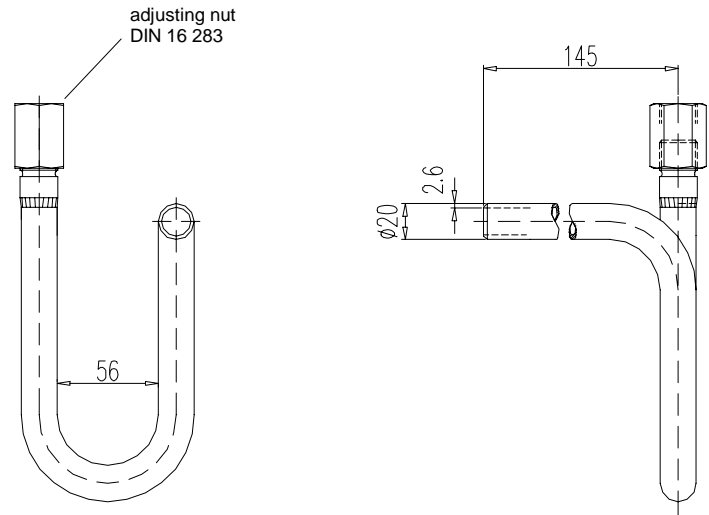


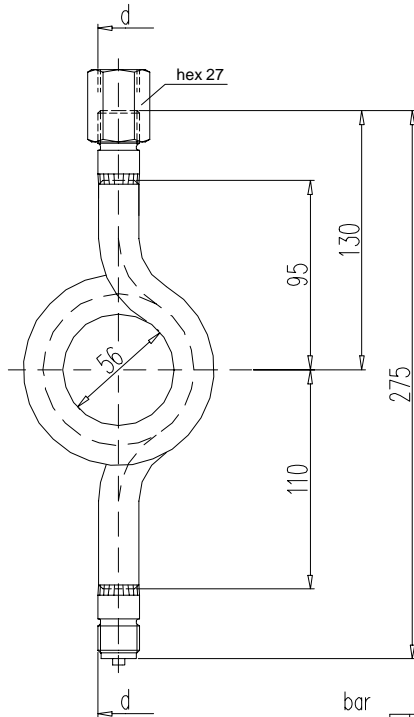
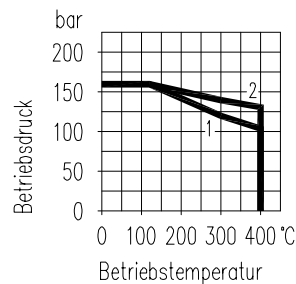
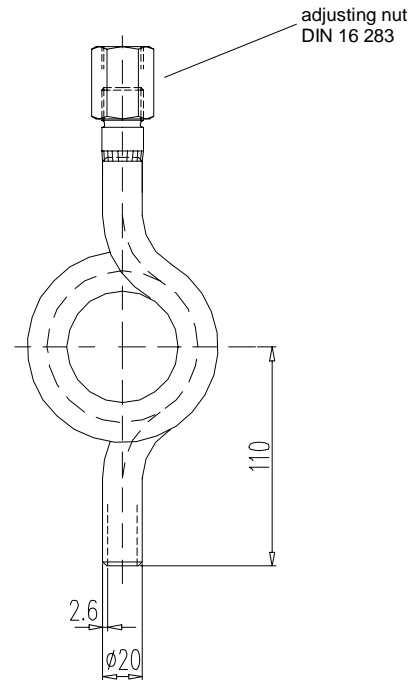
**water syphons U-shaped for horizontal pressure tapping**
**Design A (sim. to DIN 16 282)**  
 with male thread on process side

**Design B**  
 with weld end on process side


Connection thread d	Material	Part no.	
		Design A	Design B
G 1/2	steel st. st.	S006.07.100 S006.07.200	S006.07.110 S006.07.210

Material Abbreviation	Material	max. working pressure bar	max. working temperature in front of the water syphon °C
10 St	1.0345	160	120
		120	300
		104	400
20 St	1.4571	160	120
		140	300
		131	400

Components	Steel	Stainless steel
	DIN - Material Number	
Tube 20 x 2,6 mm	1.0345	1.4571
Male connector	1.1141	1.4571

- Surface: steel phosphatized
- Range of application:  
For liquids, gas or steam
- Other materials, pressure / temperature ratings and connections (e. g. 1/2 NPT) on request

**water syphons circular-shaped ('pigtail') for vertical tapping**
**Design C (sim. to DIN 16 282)**  
 with male thread on process side

**Design D**  
 with weld end on process side

 1 10 St  
 2 20 St

Connection thread	Material	Part no.	
		Design C	Design D
G 1/2	steel st. st.	S006.08.100 S006.08.200	S006.08.110 S006.08.210

Material Abbreviation	Material	max. working pressure	max. working temperature in front of the water syphon
		bar	°C
10 St	1.0345	160	120
		120	300
		104	400
20 St	1.4571	160	120
		140	300
		131	400

Components	Steel	Stainless steel
	DIN - Material Number	
Tube 20 x 2,6 mm	1.0345	1.4571
Male connector	1.1141	1.4571

- Surface: steel phosphatized
- Range of application:  
For liquids, gas or steam
- Other materials, pressure / temperature ratings and connections (e. g. 1/2 NPT) on request