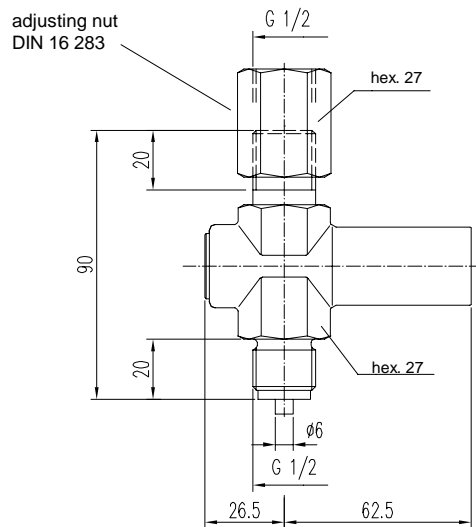
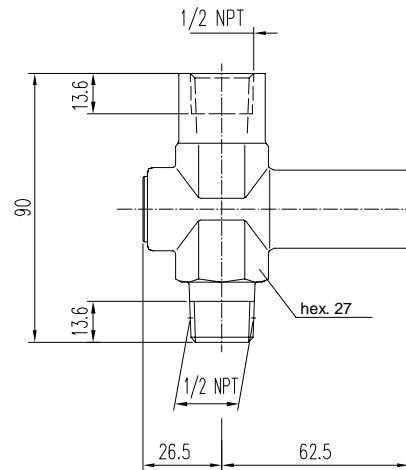


Type 1

Type 2


			Adjusting range in bar						
			0,4 - 2,5	2 - 6	5 - 25	20 - 60	50 - 250	240 - 400	400 - 600
Type	Connection ³⁾	Material	Part no.						
1	G 1/2	brass	S005.50.001	S005.50.002	S005.50.003	S005.50.004	S005.50.005	S005.50.006	S005.50.007
		st. st.	S005.50.201	S005.50.202	S005.50.203	S005.50.204	S005.50.205	S005.50.206	S005.50.207
2	1/2 NPT	brass	S005.50.021	S005.50.022	S005.50.023	S005.50.024	S005.50.025	-	-
		st. st.	S005.50.221	S005.50.222	S005.50.223	S005.50.224	S005.50.225	S005.50.226	-

D V G W - Registration (only for type 1 up to 400 bar)

DVGW-Register-No. DG-4515AO0762

The part numbers for types with DVGW-registration have to be complete with **.00DV** (e. g. adjusting range 240 - 400 bar S005.50.206.**00DV**).

Material	Max. overpressure	Low pressure range
brass	600 bar	max. load up to -1 bar, not adjustable
stainless steel	1000 bar	

Components	Brass	Stainless steel ¹⁾
	DIN - Material Number	
Body ²⁾	brass	1.4571
Piston	1.4571	
Adjusting nut	steel ⁴⁾	1.4571
Packing	FPM ⁵⁾	
Screw plug	brass	A4

- **Body:** brass: pressed part
stainless steel: die-pressed part
- **Application:**
Gauge protectors close at a set point protecting gauges from overrange pressures.
- **Function:**
By reaching the adjusted pressure, the valve closes automatically and blocks the flow to the pressure instrument. After decrease of pressure by about 25 % below the closing pressure, the valve opens again.
- **Max. temperature:** 80°C
(60°C for type S005.50.001.00DV / 201.00DV)

- 1) Available with inspection certificate 3.1 acc. to EN 10 204
- 2) Can also be supplied for oxygen application, free of oil and lubricant (Please notice order instruction B 3!)
- 3) Other connection types on request
- 4) DVGW-type made of brass
- 5) DVGW-type diaphragm made of NBR