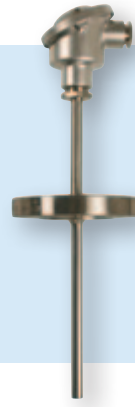


Resistance thermometers

WTh 26/27/28



WTh 26

Technical specifications

Version

Weld-in resistance thermometer for high pressure and flow loads.

Sensor

1 x Pt 100
2-, 3- or 4-wire
Class B, IEC 751

Measuring insert

Replaceable, Ø 6 mm

Thermowell

As per DIN 43772-4
Stainless steel 316 Ti

Neck

Ø 11 x 2 mm, 140 mm long
Stainless steel 316 Ti

Installation lengths (L1/L3)

65/110, 65/140, 65/200,
125/ 200, 125/260

Connection head (degree of protection)

Type B as per DIN 43729
Aluminium die cast (IP 54)

Measuring range

-35/+550 °C

Options

- Sensor class A
- Without thermowell (thread M 18 x 1.5 or M 14 x 1.5)
- Transmitter installation
- EX version
- Other thermowell materials, process connections, installation lengths, connection heads

WTh 27

Version

Flanged resistance thermometer for medium pressure and flow loads at higher temperatures.

Sensor

1 x Pt 100
2-, 3- or 4-wire
Class B, IEC 751

Measuring insert

Replaceable, Ø 6 mm

Flanged thermowell

Several parts, Ø 11 x 2 mm
Flange connection as per EN 1092-1 type B 1, DN 25, PN 40
Stainless steel 316 Ti

Neck

Ø 11 x 2 mm, 120 mm long
Stainless steel 316 Ti

Installation lengths

100, 160, 250, 400 mm

Connection head (degree of protection)

Type B as per DIN 43729
Aluminium die cast (IP 54)

Measuring range

-35/+400 °C

- Sensor class A
- Reduced measuring tip (6 mm)
- Transmitter installation
- EX version
- Other thermowell materials, process connections, installation lengths, connection heads

WTh 28

Version

Resistance thermometer for hygienic processes, e.g. food, beverages, pharmaceutical, biotechnology applications.

Sensor

1 x Pt 100
2-, 3- or 4-wire
Class B, IEC 751

Measuring insert

Replaceable, Ø 6 mm

Thermowell

Ø 9 x 1 mm, stainless steel 316 Ti

Neck

Ø 9 x 1 mm, 140 mm long
Stainless steel 316 Ti

Process connection

Either clamp, screw connection
DIN 11851, weld-in ball, weld-in socket

Installation length

100, 125, 160, 250, 400 mm

Connection head (degree of protection)

Type B, type BUZ
Aluminium die cast (IP 54)

Measuring range

-35/+300 °C

- Sensor class A
- Reduced measuring tip (6 mm)
- Other thermowell materials
- Other process connections
- Other installation lengths
- Transmitter installation
- EX version
- Field housing

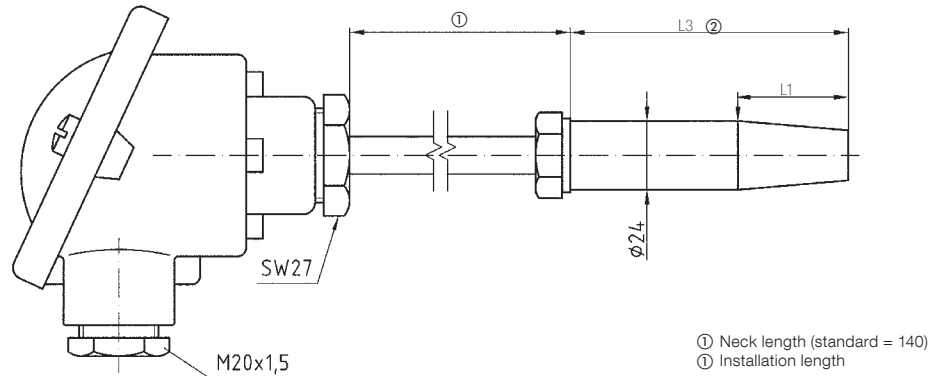


See page 521 for prices.

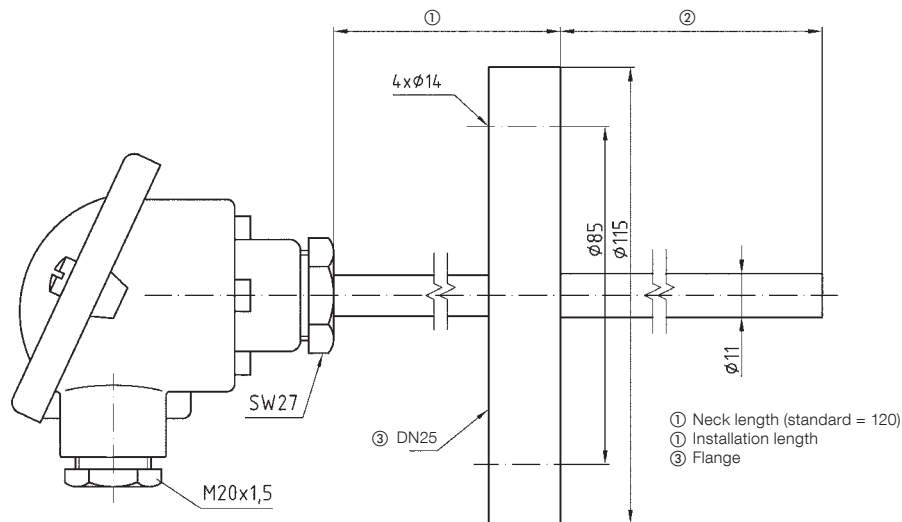
Resistance thermometers WTh 26/27/28

Dimensions (mm)

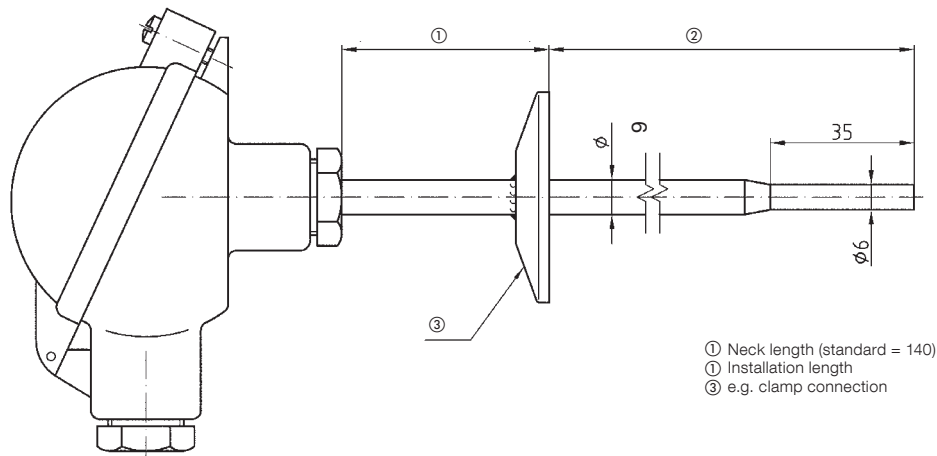
Type WTh 26



Type WTh 27

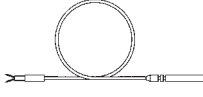
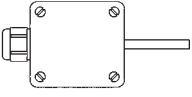
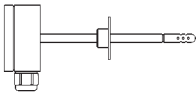
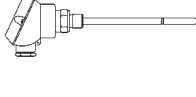
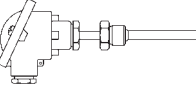


Type WTh 28



Resistance thermometers

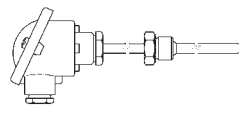
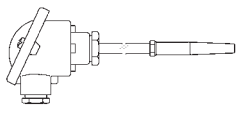
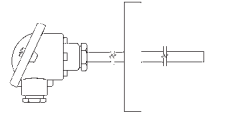
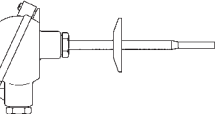
DG: E

| Type | WTh 20 | WTh 21 | WTh 22 | WTh 23 | WTh 24 |
|--|--|---|--|---|---|
| Version |  |  |  |  |  |
| Sensor | 1 x Pt 100 3-wire, class B | 1 x Pt 100 3-wire, class B | 1 x Pt 100 3-wire, class B | 1 x Pt 100 3-wire, class B | 1 x Pt 100 3-wire, class B |
| Thermowell/probe diameter Material | 6 mm Stainless steel 316 Ti | 6 mm Stainless steel 316 Ti | Perforated 8 mm Stainless steel 316 Ti | 6 mm Stainless steel 316 Ti | 9 mm Stainless steel 316 Ti |
| Neck | --- | --- | --- | --- | 25 mm |
| Process connection | --- | --- | Mounting flange Ø 40 mm | G1/4B Stainless steel 316 Ti | G1/2B Stainless steel 316 Ti |
| Connection head / electrical connection | PVC cable Wire ferrules | Plastic/cable gland | Plastic/cable gland | Type J/cable gland | DIN 43729, type B Cable gland |
| Measuring range fixed (moving) | -40/+105 °C (-5/+105 °C) | -50/+90 °C | 0/130 °C | -35/+180 °C | -35/+180 °C |
| Installation length | Price € Part no. | Price € Part no. | Price € Part no. | Price € Part no. | Price € Part no. |
| 44 mm | Probe length 50 mm up to cable length 2,000 mm 9.50 32220 Cable extension per 500 mm 0.50 | 32400 | --- | --- | --- |
| 100 mm | | --- | 32215 | 32225 | 32210 |
| 160 mm | | --- | 32216 | 32226 | 32211 |
| 250 mm | | --- | 32217 | 32227 | 32212 |
| 400 mm | | --- | --- | 32228 | --- |
| Extra charges | Price € | Price € | Price € | Price € | Price € |
| Per additional 100 mm installation length | --- | --- | | | |
| 1 x Pt 100 4-wire | | | | | |
| 2 x Pt 100 2-wire | --- | --- | --- | | --- |
| Sensor class A | | | | | |
| Connection head Type BBK | --- | --- | | | --- |
| Transmitter installation* DC 7.5-30 V/4-20 mA | --- | | | | |
| Transmitter installation* DC 15-30 V/0-10 V | --- | | | --- | |

* Applies to standard measuring ranges (-50/+50, 0/50, 0/100, 0/120, 0/150, 0/200, 0/300 °C), extra charge in all other cases

Resistance thermometers

DG: E

| Type | WTh 25 | WTh 26 | WTh 27 | WTh 28 |
|--|---|---|--|---|
| Version |  |  |  |  |
| Sensor | 1 x Pt 100 3-wire, class B | 1 x Pt 100 3-wire, class B | 1 x Pt 100 3-wire, class B | 1 x Pt 100 3-wire, class B |
| Thermowell/probe Diameter Material | 9 mm Stainless steel 316 Ti | Weld-in thermowell As per DIN 43772* Stainless steel 316 Ti | 11 mm Stainless steel 316 Ti | 9 mm Stainless steel 316 Ti |
| Neck | 120 mm | 140 mm | 120 mm | 140 mm |
| Process connection | G½B Stainless steel 316 Ti | Weld-in thermowell As per DIN 43772* | Flange EN 1091-1 Type B1 DN 25/PN 40 | Clamp 1" |
| Connection head/ electr. connection | DIN 43729, type B Cable gland | DIN 43729, type B Cable gland | DIN 43729, type B Cable gland | Type B, type BUZ Cable gland |
| Measuring range | -35/+400 °C | -35/+550 °C | -35/+400 °C | -35/+200 °C |
| Installation length | Price € Part no. | Price € Part no. | Price € Part no. | Price € Part no. |
| 65 mm | --- | 32250 | --- | --- |
| 100 mm | 32240 | 32251 | 32260 | 32230 |
| 125 mm | 32241 | --- | --- | 32231 |
| 160 mm | 32242 | 32253 | 32261 | 32232 |
| 250 mm | 32243 | 32254 | 32262 | 32233 |
| 400 mm | 32244 | --- | 32263 | 32234 |
| Extra charges | Price € | Price € | Price € | Price € |
| Per additional 100 mm installation length | | --- | | |
| Transmitter installation* DC 7.5-30 V/4-20 mA | | | | |
| 1 x Pt 100 4-wire | | | | |
| 2 x Pt 100 2-wire | | | | |
| Sensor class A | | | | |
| Reduced measuring tip (Ø 6 mm) | | --- | | |
| Clamp 1½" | --- | --- | --- | |
| DIN 11851, DN 40 | --- | --- | --- | |
| Hygienic, DN 40 | --- | --- | --- | |
| Weld-in ball | | --- | --- | |
| Weld-in socket | --- | --- | --- | |
| EX version WTh | | | | |
| EX transmitter Ex ib** DC 12-36 V/4-20 mA | | | | |

* See page 504 for other thermowell materials.

** Applies to standard measuring ranges (-50/+50, 0/50, 0/100, 0/120, 0/150, 0/200, 0/300, 0/400, 0/500 °C), extra charge in all other cases.