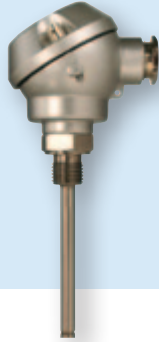


Resistance thermometers

WTh 23/24/25



WTh 23

Description **Version**
Compact screw-in resistance thermometer specially for heating, ventilation and air conditioning applications.

Technical specifications **Sensor**
1 x Pt 100
2-, 3- or 4-wire
Class B, IEC 751

Measuring insert
Not replaceable

Thermowell
Ø 6 mm, stainless steel 316 Ti

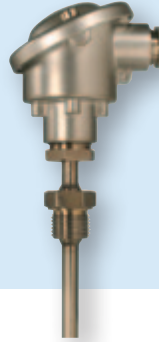
Process connection
G½B stainless steel 316 Ti

Installation length
100 mm

Connection head (degree of protection)
Type J, aluminium die cast (IP 54)

Measuring range
-35/+180 °C

- Options**
- Sensor class A
 - Other thermowell diameters
 - Thermowell with bend, measuring tip with spring
 - Neck
 - Other process connections
 - Other installation lengths



WTh 24

Version
Screw-in resistance thermometer for medium pressure and flow loads, specially for mechanical engineering and plant engineering.

Sensor
1 x Pt 100
2-, 3- or 4-wire
Class B, IEC 751

Measuring insert
Replaceable

Thermowell
As per DIN 43772
Ø 9 x 1 mm, stainless steel 316 Ti

Neck
Ø 9 x 1 mm, 25 mm long
Stainless steel 316 Ti

Process connection
G½B stainless steel 316 Ti

Installation lengths
100, 160, 250 mm

Connection head (degree of protection)
Type B as per DIN 43729
Aluminium die cast (IP 54)

Measuring range
-35/+180 °C

- Transmitter installation (standard: 0/100 °C = 4–20 mA)



WTh 25

Version
Screw-in resistance thermometer for medium pressure and flow loads at higher temperatures.

Sensor
1 x Pt 100
2-, 3- or 4-wire
Class B, IEC 751

Measuring insert
Replaceable, Ø 6 mm

Thermowell
As per DIN 43772
Ø 9 x 1 mm, stainless steel 316 Ti

Neck
Ø 9 x 1 mm, 120 mm long
Stainless steel 316 Ti

Process connection
G½B stainless steel 316 Ti

Installation lengths
100, 125, 160, 250, 400 mm

Connection head (degree of protection)
Type B as per DIN 43729
Aluminium die cast (IP 54)

Measuring range
-35/+400 °C

- Sensor class A
- Reduced measuring tip (6 mm)
- Transmitter installation
- EX version
- Other thermowell materials, process connections, installation lengths

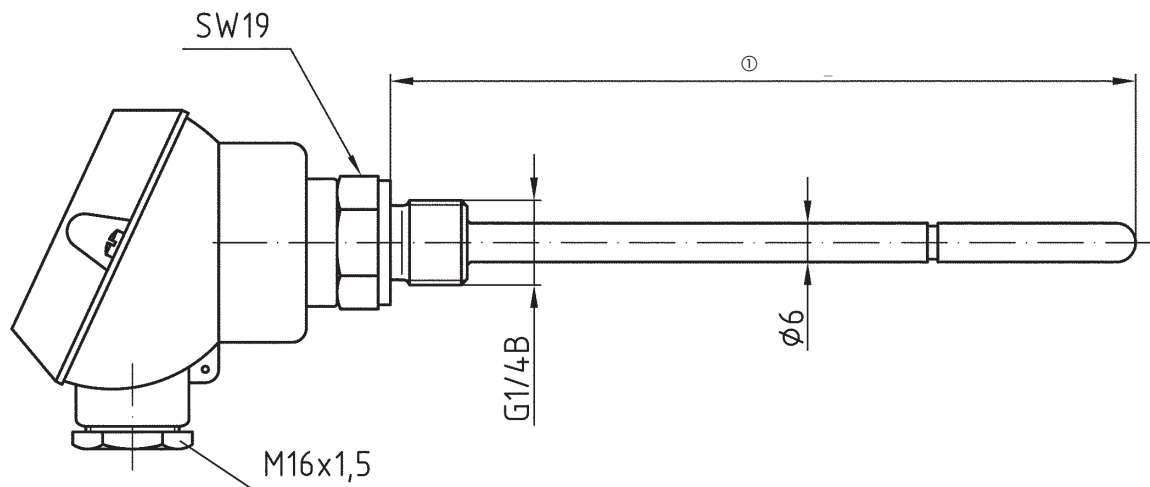


See page 521 for prices.

Resistance thermometers types WTh 23/24/25

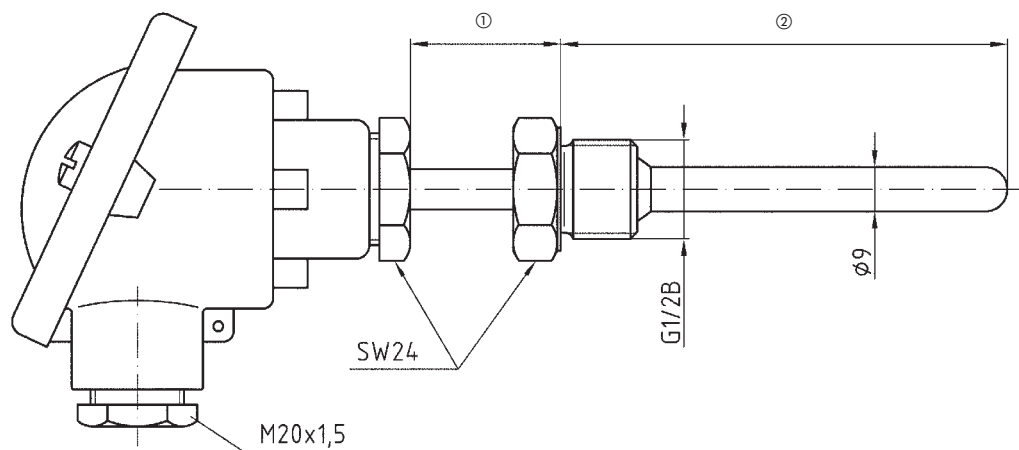
Dimensions (mm)

Type WTh 23

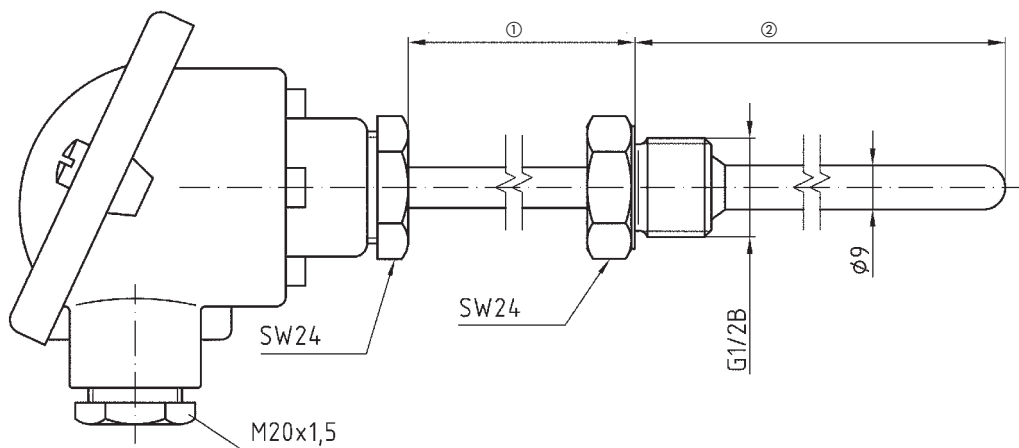


① Installation length

Type WTh 24

① Neck length (standard = 25)
② Installation length

Type WTh 25

① Neck length (standard = 140)
② Installation length