

# Resistance thermometers

## WTh 20/21/22



**WTh 20**

### Technical specifications

**Version**

Plug-in type resistance thermometer.

**Sensor**

1 x Pt 100  
2-, 3- or 4-wire  
Class B, IEC 751

**Probe**

Ø 6 mm, length 50 mm  
Stainless steel 316 Ti

**Electrical connection**

Cable with wire ferrules

**Cable**

PVC (heat-resistant)

**Measuring range**

With installation type  
Fixed: -40/+105 °C  
Moving: -5/+105 °C

### Options

- Coated measuring line
- Sensor class A
- Process connection as adjustable compression fitting or fixed male connection
- Connector ISO 4400
- Miniature circular plug
- Lemosa connector
- Other probe diameters
- Other probe lengths
- Other cables:
  - Silicone (-50/+180 °C)
  - PTFE (-200/+260 °C)
  - Glass fibre with stainless steel braiding (-50/+400 °C)
- Bending protection



**WTh 21**

**Version**

Room and outside resistance thermometer for wall mounting.

**Sensor**

1 x Pt 100  
2-, 3- or 4-wire  
Class B, IEC 751

**Probe**

Ø 6 mm, length 42 mm  
Stainless steel 316 Ti

**Electrical connection**

Cable gland

**Measuring range**

-50/+90 °C

**Housing**

Impact-resistant plastic  
W x H x D: 58 x 64 x 36 mm

**Degree of protection**

IP 65 (EN 60529)

- Open probe
- Sensor class A
- Sensor Pt 1.000/Ni 1.000
- Transmitter installation



**WTh 22**

**Version**

Resistance thermometer especially for use in air ducts.

**Sensor**

1 x Pt 100  
2-, 3- or 4-wire  
Class B, IEC 751

**Thermowell**

Ø 8 x 1 mm, perforated  
Stainless steel 316 Ti

**Process connection**

Mounting flange Ø 40 mm, adjustable, stainless steel

**Installation lengths**

100, 160, 250 mm

**Housing**

Impact-resistant plastic  
W x H x D: 58 x 64 x 36 mm

**Degree of protection**

IP 54 (EN 60529)

**Measuring range**

0/130 °C

- Process connection G½B (adjustable compression fitting or fixed male connection)
- Transmitter installation (standard: 0/100 °C = 4–20 mA)

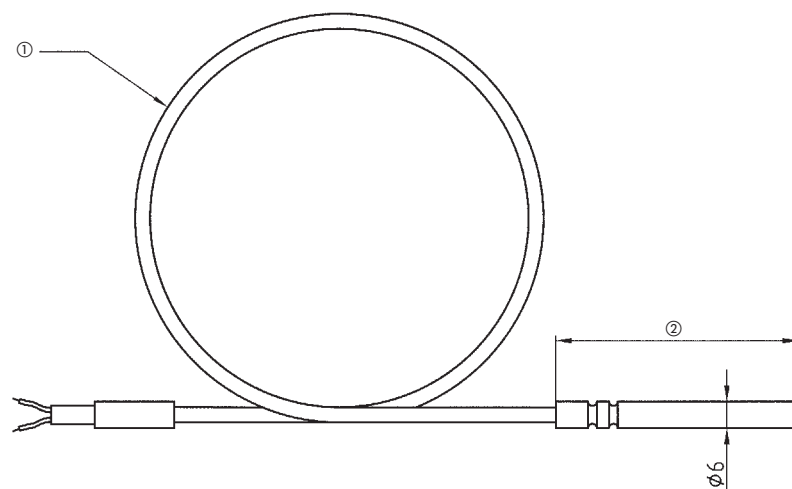


See page 521 for prices.

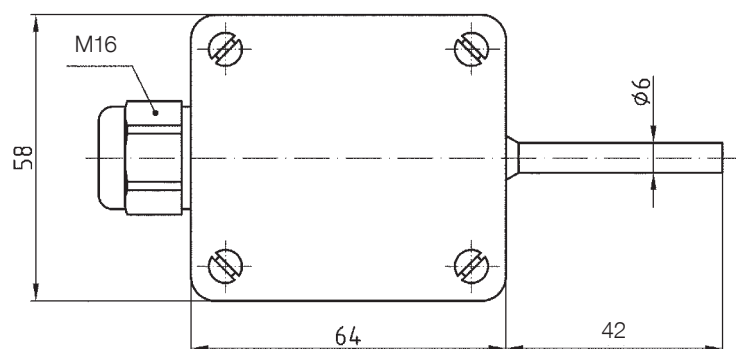
# Resistance thermometers types WTh 20/21/22

Dimensions (mm)

Type WTh 20



Type WTh 21



Type WTh 22

