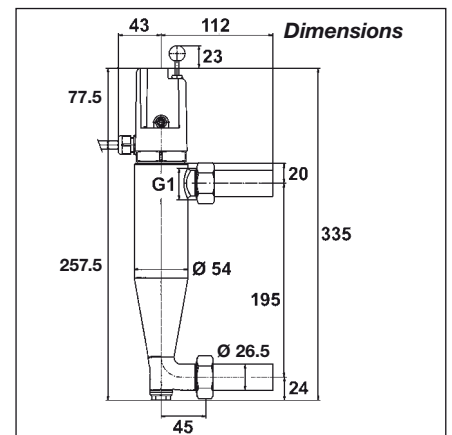
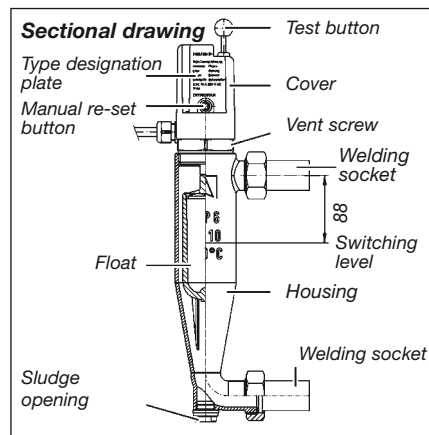
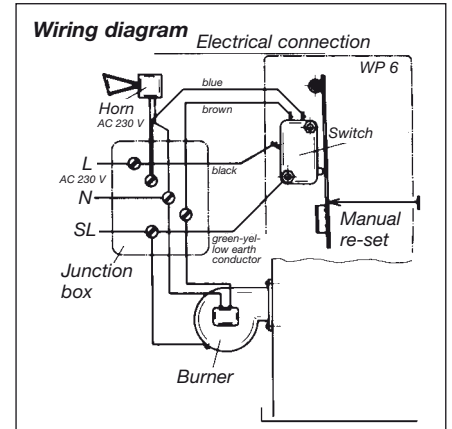
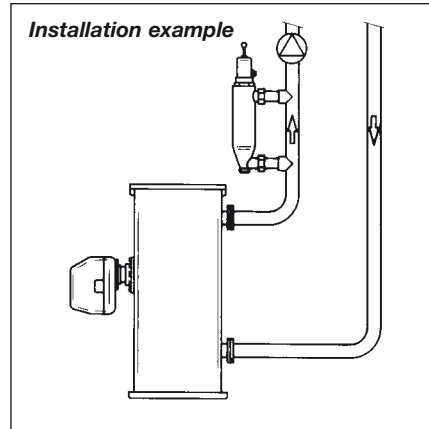


Boiler water low level alarms WMS-WP6 – mechanical



WMS-WP6, brass with welding socket DN 20

This mechanical boiler water low level alarm with float for sealed heating systems according to EN 12828 consists of a cast brass body with welding socket and a float mechanism, an electrical switch, test and manual re-set buttons. TÜV-tested as a water level switch for a max. operating pressure of 10 bar and a max. operating temperature of 120 °C. Designed for heating systems according to EN 12828. If the water level in the boiler drops below a minimum level, a float activates a switch which interrupts the power supply to the burner. A locking mechanism prevents the burner from restarting automatically. The test button allows the float to be lowered to simulate a low water alarm condition.

Technical specifications

- Housing:** Cast brass
- Float:** Plastic
- Height:** 358 mm
- Welding socket:** DN 20
- Max. operating temp.:** 120 °C
- Max. operating pressure:** 10 bar
- Test pressure:** 15 bar
- Contact rating:** AC 250 V, 6 (2) A
- Protection:** IP 54 (EN 60529)
- Approval:** TÜV HWB 07-232

WMS-WP6, brass (without locking mechanism)

Low water level alarm switch similar to WMS-WP6, but without re-set. For use in systems where a remote control panel re-set facility is provided.

Boiler water low level alarms protect heat generators in sealed heating systems against overheating if a low water level occurs or insufficient water flow is present in the system. According to EN 12828, sealed heating systems with capacities of more than 300 kW must be equipped with a TÜV-tested boiler water low level alarm system.

DG: G	PU	Part no.	Price €
WMS-WP6, brass with welding socket DN 20	15	42300	
WMS-WP6, o.v. brass with welding socket DN 20	15	42305	
Upper part WMS-WP6 with manual re-set	1	42310	
Lower part WMS-WP6 without manual re-set	1	42311	
Probe body for WMS-WP6	1	42368	