

# Combination thermometer/pressure gauges with capillary tube



## Type THMK 560/40 S

**Nominal size**  
40 mm

**Connection**  
Capillary tube  
(refer to dimension table)

**Movement**  
Brass

**Dial**  
ABS

**Pointer**  
ABS

**Housing**  
ABS, black

**Front glass**  
Plastic

**Ranges**  
0/120 °C – 0/4 bar  
0/120 °C – 0/6 bar

**Accuracy/test point**  
0/4 bar /1 bar = ±0.2 bar  
0/6 bar /1 bar = ±0.2 bar  
0/120 °C/30 °C = ±3 °C

**Scale**  
Dial white – numbers black  
Dial black – numbers white  
Dial black – numbers yellow

**Capillary length**  
L = 500 mm  
L = 1,000 mm  
L = 1,500 mm  
L = 2,000 mm

**Bezel**  
Crimped bezel, black  
Crimped bezel, chrome-plated  
Square bezel, black  
Square bezel, white  
Square bezel, grey



## Type THMK 520/52 S

**Nominal size**  
52 mm

**Connection**  
Capillary tube  
(refer to dimension table)

**Movement**  
Brass

**Dial**  
ABS

**Pointer**  
ABS

**Housing**  
ABS, black

**Front glass**  
Plastic

**Ranges**  
0/120 °C - 0/4 bar  
0/120 °C - 0/6 bar

**Accuracy/test point**  
0/4 bar /1 bar = ±0.2 bar  
0/6 bar /1 bar = ±0.2 bar  
0/120 °C/30 °C = ±3 °C

**Scale**  
Dial white – numbers black  
Dial black – numbers white  
Dial black – numbers yellow

**Capillary length**  
L = 500 mm  
L = 1,000 mm  
L = 1,500 mm  
L = 2,000 mm

**Bezel**  
Crimped bezel, black  
Crimped bezel, chrome-plated  
Square bezel, black  
Square bezel, white  
Square bezel, grey



## Type THMK 540/73 S

**Nominal size**  
73 x 37 mm

**Connection**  
Capillary tube  
(refer to dimension table)

**Movement**  
Brass

**Dial**  
ABS

**Pointer**  
ABS

**Housing**  
ABS, black

**Front glass**  
Plastic

**Ranges**  
0/120 °C - 0/4 bar  
0/120 °C - 0/6 bar

**Accuracy/test point**  
0/4 bar /1 bar = ±0.2 bar  
0/6 bar /1 bar = ±0.2 bar  
0/120 °C/ 30 °C = ±3 °C

**Scale**  
Dial white – numbers black  
Dial black – numbers white  
Dial grey – numbers black

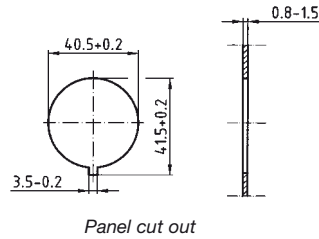
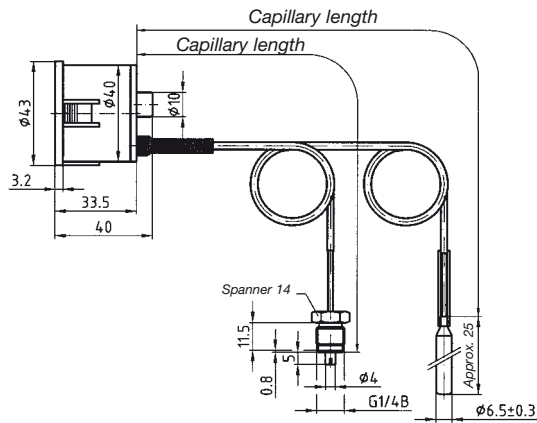
**Capillary length**  
L = 500 mm  
L = 1,000 mm  
L = 1,500 mm  
L = 2,000 mm

**Bezel**  
Black  
White  
Grey

# Combination thermometer/pressure gauges with capillary tube

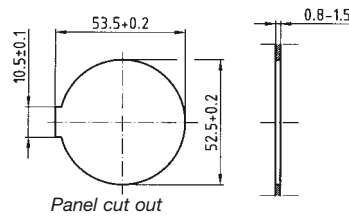
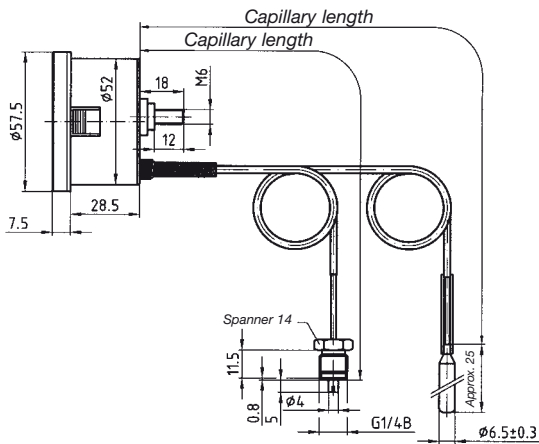
Dimensions (in mm) and capillary connection

## Type THMK 560/40 S



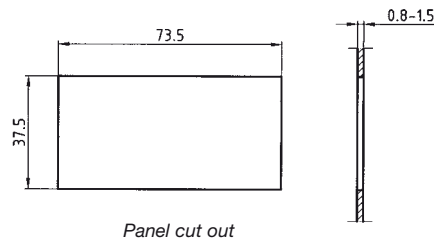
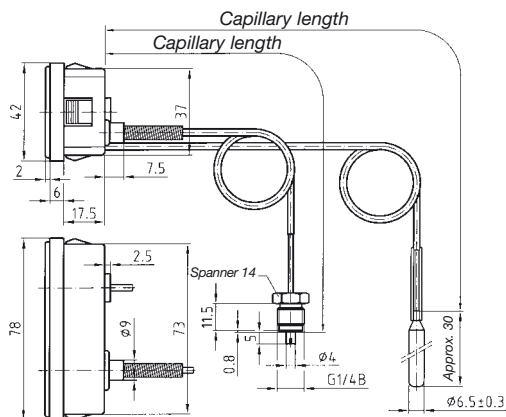
<b>Capillary</b>
Cu with PVC coating (R3, grey)

## Type THMK 520/52 S



<b>Capillary</b>
Cu with PVC coating (R3, grey)

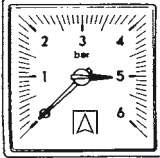
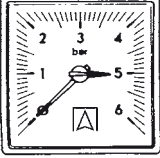
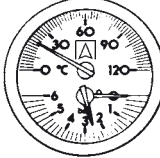
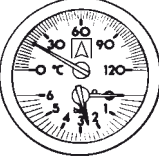
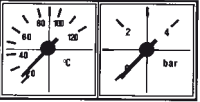
## Type THMK 540/73 S



<b>Capillary</b>
Cu with PVC coating (R3, grey)

# Combination thermometer/pressure gauges with capillary tube

DG: G

Type	RFK 340/45 S	RFK 343/37 S	THMK 560/40 S	THMK 520/52 S	THMK 540/73 S
Version					
Housing-Ø	45 x 45 mm	37 x 37 mm	40 mm	52 mm	73 x 37 mm
Housing	Plastic, black				
Scale	Dial black - numbers white				
Packing unit*	50 pieces	50 pieces	50 pieces	50 pieces	40 pieces
Range	0/4 bar	0/4 bar	0/120 °C 0/4 bar	0/120 °C 0/4 bar	0/120 °C 0/4 bar
Capillary length	<b>Price €</b> Part no.	<b>Price €</b> Part no.	<b>Price €</b> Part no.	<b>Price €</b> Part no.	<b>Price €</b> Part no.
1,000 mm	67615115	67625115	67675115	67635115	67645115
1,500 mm	67615125	67625125	67675125	<b>67635125</b>	67645125
2,000 mm	67615135	67625135	67675135	67635135	67645135
Range	0/6 bar	0/6 bar	0/120 °C 0/6 bar	0/120 °C 0/6 bar	0/120 °C 0/6 bar
Capillary length	<b>Price €</b> Part no.	<b>Price €</b> Part no.	<b>Price €</b> Part no.	<b>Price €</b> Part no.	<b>Price €</b> Part no.
1,000 mm	67616115	67626115	67676115	67636115	67646115
1,500 mm	67616125	67626125	67676125	67636125	67646125
2,000 mm	67616135	67626135	67676135	67636135	67646135

Other capillary lengths on request.

\* Minimum order quantity for non-stock items = 100 pieces