

Thermometers with capillary tube



Type THK 115/40 S

Nominal size
40 mm

Connection
Capillary tube
(refer to dimension table)

Movement
Brass

Dial
ABS

Pointer
ABS

Housing
ABS, black

Front glass
Plastic

Ranges
-40/+40 °C
0/120 °C

Accuracy/test point
-40/+40 °C/-20 °C = ±2 °C
0/120 °C/ 30 °C = ±3 °C

Scale
Dial white – numbers black
Dial black – numbers white
Dial black – numbers yellow

Capillary length
L = 500 mm
L = 1,000 mm
L = 1,500 mm
L = 2,000 mm

Bezel
Square bezel, black
Square bezel, white
Square bezel, grey

Option

- Nominal size 37 mm (type THK 113)



Type THK 110/52 S

Nominal size
52 mm

Connection
Capillary tube (refer to dimension table)

Movement
Brass

Dial
ABS

Pointer
ABS

Housing
ABS, black

Front glass
Plastic

Ranges
-40/+40 °C
0/120 °C

Accuracy/test point
-40/+40 °C/-20 °C = ±2 °C
0/120 °C/ 30 °C = ±3 °C

Scale
Dial white – numbers black
Dial black – numbers white
Dial black – numbers yellow

Capillary length
L = 500 mm
L = 1,000 mm
L = 1,500 mm
L = 2,000 mm

Bezel
Crimped bezel, black
Crimped bezel, chrome-plated
Square bezel, black
Square bezel, white
Square bezel, grey



Type THK 130/45 S

Nominal size
45 x 45 mm

Connection
Capillary tube
(refer to dimension table)

Movement
Brass

Dial
ABS

Pointer
ABS

Housing
ABS, black

Front glass
Plastic

Ranges
-40/+40 °C
0/120 °C

Accuracy/test point
-40/+40 °C/-20 °C = ±2 °C
0/120 °C/ 30 °C = ±3 °C

Scale
Dial white – numbers black
Dial black – numbers white
Dial black – numbers yellow

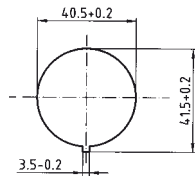
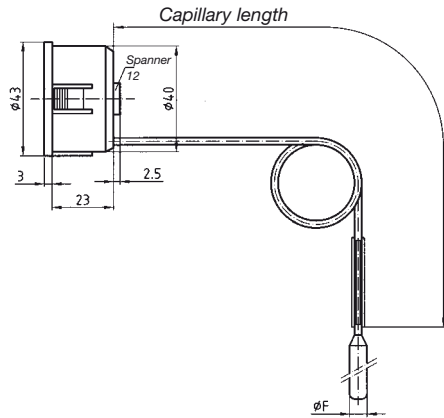
Capillary length
L = 500 mm
L = 1,000 mm
L = 1,500 mm
L = 2,000 mm

Bezel
Black
White
Grey

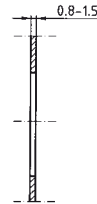
Thermometers with capillary tube

Dimensions (in mm) and capillary connection

Type THK 115/40 S

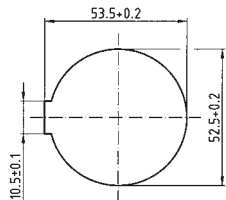
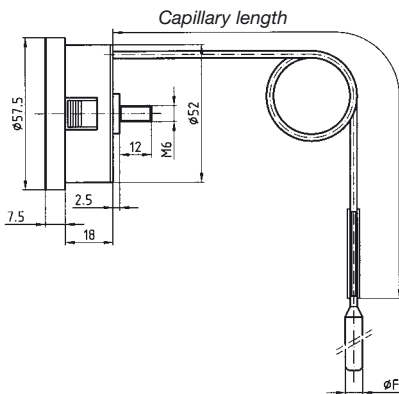


Panel cut out

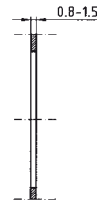


Range	Capillary	Probe (F)
-40/+40 °C	Cu with PVC coating (R3, white)	Ø 8.5 x 30 Cu
0/120 °C	Cu with PVC coating (R3, grey)	Ø 6.5 x 30 Cu

Type THK 110/52 S

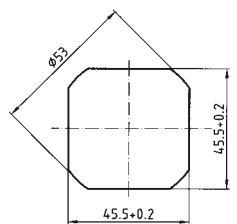
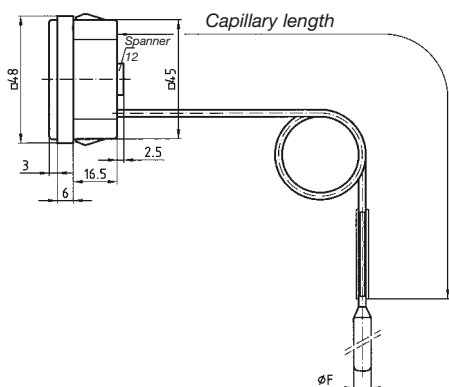


Panel cut out



Range	Capillary	Probe (F)
-40/+40 °C	Cu with PVC coating (R3, white)	Ø 8.5 x 30 Cu
0/120 °C	Cu with PVC coating (R3, grey)	Ø 6.5 x 30 Cu

Type THK 130/45 S



Panel cut out



Range	Capillary	Probe (F)
-40/+40 °C	Cu with PVC coating (R3, white)	Ø 8.5 x 30 Cu
0/120 °C	Cu with PVC coating (R3, grey)	Ø 6.5 x 30 Cu

Thermometers with capillary tube



Type THK 150/58 S

Nominal size
58 x 25 mm

Connection
Capillary tube
(refer to dimension table)

Movement
Brass

Dial
ABS

Pointer
Printed on inner side of front glass

Housing
ABS, black

Front glass
Plastic

Ranges
-40/+40 °C
0/120 °C

Accuracy/test point
-40/+40 °C/-20 °C = ±2 °C
0/120 °C/ 30 °C = ±3 °C

Scale
Dial white – numbers black
Dial black – numbers white
Dial black – numbers yellow

Capillary length
L = 500 mm
L = 1,000 mm
L = 1,500 mm
L = 2,000 mm

Bezel
Black
White
Grey

Option

- Vertical mounting position

Refer to page 213/214 for prices.



Type THK 171/62 S

Nominal size
62 x 11 mm

Connection
Capillary tube
(refer to dimension table)

Movement
Brass

Dial
ABS

Pointer
Printed on inner side of front glass

Housing
ABS, black

Front glass
Plastic

Ranges
-40/+40 °C
0/120 °C

Accuracy/test point
-40/+40 °C/-20 °C = ±2 °C
0/120 °C/ 30 °C = ±3 °C

Scale
Dial white – numbers black
Dial black – numbers white
Dial black – numbers yellow

Capillary length
L = 500 mm
L = 1,000 mm
L = 1,500 mm
L = 2,000 mm

Bezel
Black
White
Grey

Option

- Vertical mounting position



Type THK 181/62 S

Nominal size
62 x 11 mm

Connection
Capillary tube
(refer to dimension table)

Movement
Brass

Dial
ABS

Pointer
Printed on inner side of front glass

Housing
ABS, black

Front glass
Plastic

Ranges
-40/+40 °C
0/120 °C

Accuracy/test point
-40/+40 °C/-20 °C = ±2 °C
0/120 °C/ 30 °C = ±3 °C

Scale
Dial white – numbers black
Dial black – numbers white
Dial black – numbers yellow

Capillary length
L = 500 mm
L = 1,000 mm
L = 1,500 mm
L = 2,000 mm

Bezel
Black
White
Grey

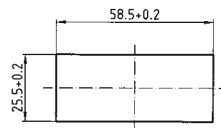
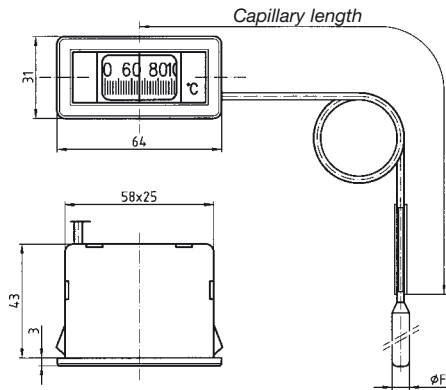
Option

- Vertical mounting position

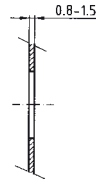
Thermometers with capillary tube

Dimensions (in mm) and capillary connection

Type THK 150/58 S

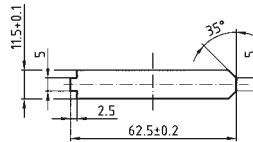
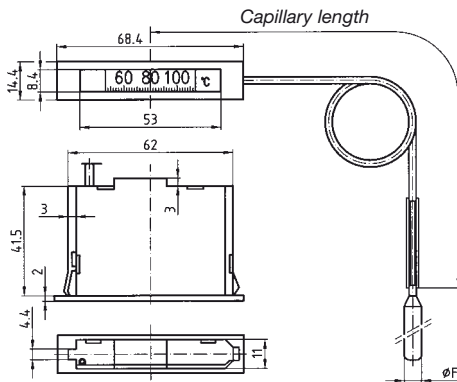


Panel cut out

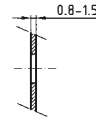


Range	Capillary	Probe (F)
-40/+40 °C	Cu with PVC coating (R3, white)	Ø 8.5 x 30 Cu
0/120 °C	Cu with PVC coating (R3, gray)	Ø 6.5 x 30 Cu

Type THK 171/62 S

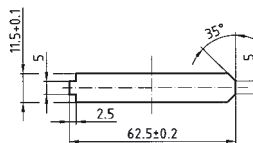
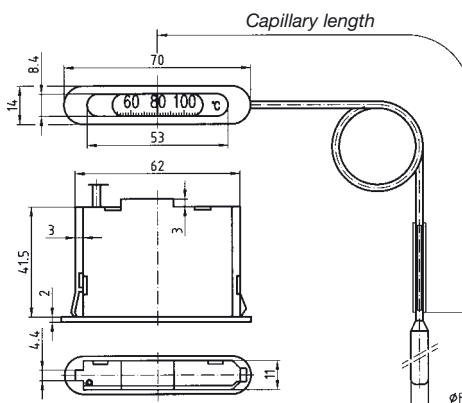


Panel cut out

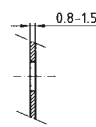


Range	Capillary	Probe (F)
-40/+40 °C	Cu with PVC coating (R3, white)	Ø 8.5 x 30 Cu
0/120 °C	Cu with PVC coating (R3, grey)	Ø 6.5 x 25 Cu

Type THK 181/62 S



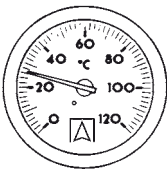
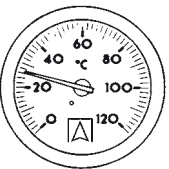
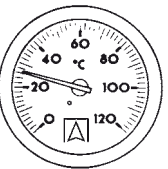
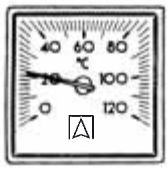
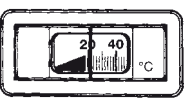
Panel cut out



Range	Capillary	Probe (F)
-40/+40 °C	Cu with PVC coating (R3, white)	Ø 8.5 x 30 Cu
0/120 °C	Cu with PVC coating (R3, grey)	Ø 6.5 x 25 Cu

Thermometers with capillary tube

DG: G




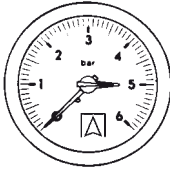
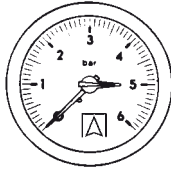
Type	THK 113/37 S	THK 115/40 S	THK 110/52 S	THK 130/45 S	THK 150/58 S
Version					
Housing-Ø	37 mm	40 mm	52 mm	45 x 45 mm	58 x 25 mm
Housing	Plastic, black				
Scale	Dial black – numbers white				
Packing unit*	50 pieces	50 pieces	50 pieces	50 pieces	50 pieces
Range	-40/+40 °C	-40/+40 °C	-40/+40 °C	-40/+40 °C	-40/+40 °C
Capillary length	Price € Part no.	Price € Part no.	Price € Part no.	Price € Part no.	Price € Part no.
1,000 mm	67510115	67650115	67500115	67520115	67540115
1,500 mm	67510125	67650125	67500125	67520125	67540125
2,000 mm	67510135	67650135	67500135	67520135	67540135
Range	0/120 °C	0/120 °C	0/120 °C	0/120 °C	0/120 °C
Capillary length	Price € Part no.	Price € Part no.	Price € Part no.	Price € Part no.	Price € Part no.
1,000 mm	67512115	67652115	67502115	67522115	67542115
1,500 mm	67512125	67652125	67502125	67522125	67542125
2,000 mm	67512135	67652135	67502135	67522135	67542135
3,500 mm	---	---	---	---	67542155

Other capillary lengths on request.

* Minimum order quantity for non-stock items = 100 pieces

Thermometers/pressure gauges with capillary tube

DG: G

Type	THK 150 S/58 S	THK 171/62 S	THK 181/62 S	RFK 360/40 S	RFK 320/52 S
Version					
Housing-Ø	25 x 58 mm	62 x 11 mm	62 x 11 mm	40 mm	52 mm
Housing	Plastic, black				
Scale	Dial black - numbers white				
Packing unit*	50 Stück	50 pieces	50 pieces	50 pieces	50 pieces
Range	-40/+40 °C	-40/+40 °C	-40/+40 °C	0/4 bar	0/4 bar
Capillary length	Price € Part no.	Price € Part no.	Price € Part no.	Price € Part no.	Price € Part no.
1,000 mm	67540115s	67560115	67580115	67665115	67595115
1,500 mm	67540125s	67560125	67580125	67665125	67595125
2,000 mm	67540135s	67560135	67580135	67665135	67595135
Range	0/120 °C	0/120 °C	0/120 °C	0/6 bar	0/6 bar
Capillary length	Price € Part no.	Price € Part no.	Price € Part no.	Price € Part no.	Price € Part no.
1,000 mm	67542115s	67562115	67582115	67666115	67596115
1,500 mm	67542125s	67562125	67582125	67666125	67596125
2,000 mm	67542135s	67562135	67582135	67666135	67596135
Other capillary lengths on request.					
* Minimum order quantity for non-stock items = 100 pieces					