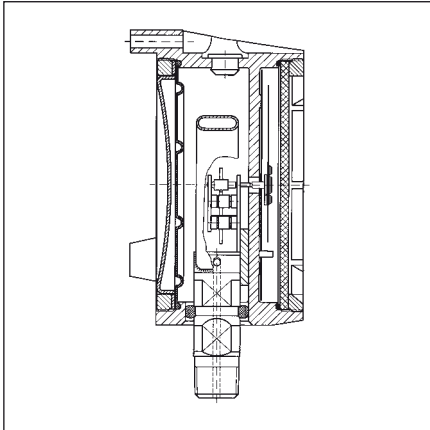


Bourdon tube pressure gauges type Process Gauge



Application

For aggressive gaseous and liquid media which are not highly viscous and do not crystallize. Specially suitable for the oil and chemical industries.

Type

D 1

Nominal size

4 1/2"

Accuracy class

Grade 2A according to ANSI B 40.1 (corresponds to class 0.5)

Ranges (EN 837-1/5)

-1/0 to -1/+15 bar
0/0.6 to 0/1,000 bar

Application area

Static load:
full scale value
Dynamic load:
0.9 x full scale value
Short term:
1.3 x full scale value

Operating temperature range

Medium: $T_{max} = +100\text{ °C}$
Ambient: $T_{min} = -40\text{ °C}$
 $T_{max} = +65\text{ °C}$

Temperature performance

Indication error when the temperature of the measuring element deviates from 20 °C:
rising temp. approx. $\pm 0.3\%$ /10 K
falling temp. approx. $\pm 0.3\%$ /10 K
percentage of full scale value

Protection

IP 45 (EN 60529)

Standard version

Connection

Stainless steel AISI 316 Ti or 316 L,
bottom or bottom back
1/2-14 NPT – spanner size 22

Measuring element

Bourdon tube, stainless steel 316 Ti or 316 L
 ≤ 60 bar „C“ type bourdon tube
 > 60 bar helical tube
leak tested (EN 837-1/9.5.6)

Movement

Stainless steel

Dial

Aluminium, white
Dial marking black

Pointer

Micro-adjustable pointer
Brass, black
Gear brass, nickel plated

Housing

PP-GF20, black
with solid baffle wall
and blow-out
Integrated back flange

Screw type bezel

PP-GF20, black
internal

Front glass

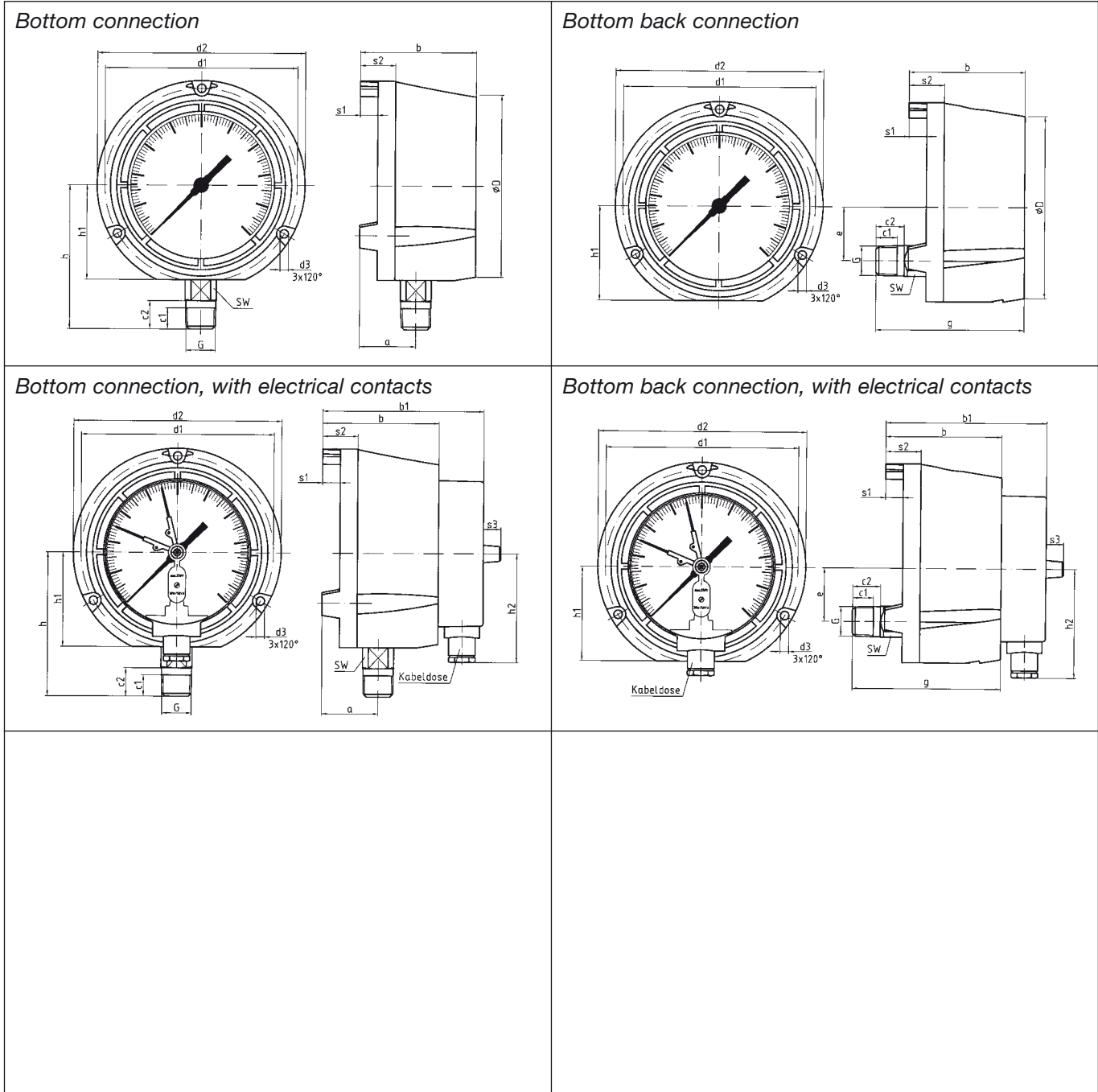
Plastic (PMMA)

Options

- Glycerine filling (type D6)
- Silicone oil filling (type D6)
- Special scales
- Copper alloy measuring system
- Monel measuring system
- Laminated safety front glass
- Damping screw
- Reference pointer
- Max. pointer
- Electrical contacts

Bourdon tube pressure gauges type Process Gauge Class 0.5 Type D 1/D 6 – NG 4 1/2"

Housing types and dimensions



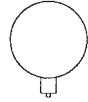
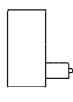
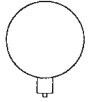
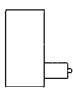
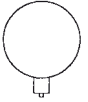
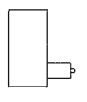
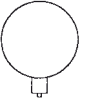
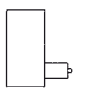
Dimensions (mm)

Nominal size (NG)	a	b	b1	c1	c2	d1	d2	d3	ØD	e	G	g	h	h1	h2	s1	s2	s3	SW
4 1/2" (D 1/D 6)	40	82.5	114.5	15	20	137	148	6	129	38	1/2-14 NPT	105.5	102	67	78	12.5	25	12.5	22

Bourdon tube pressure gauges type Process Gauge

with glycerine filling

DG: M

Type	RF130PG, D101	RF130PG, D111	RF130PG, D102	RF130PG, D112	RF130PG, D601	RF130PG, D611	RF130PG, D602	RF130PG, D612
Version								
Housing Ø	4 1/2"	4 1/2"	4 1/2"	4 1/2"	4 1/2"	4 1/2"	4 1/2"	4 1/2"
Housing	PP-GF 20, black, with internal screw type bezel							
Meas. elem.	Copper alloy		Stainless steel 316 Ti or 316 L		Copper alloy		Stainless steel 316 Ti or 316 L	
Accuracy class	Grade 2A according to ANSI B 40.1 (corresponds to class 0.5)							
Connection	1/2-14 NPT	1/2-14 NPT	1/2-14 NPT	1/2-14 NPT	1/2-14 NPT	1/2-14 NPT	1/2-14 NPT	1/2-14 NPT
Range (bar)*	Part no.	Part no.	Part no.	Part no.	Part no.	Part no.	Part no.	Part no.
Price €								
-1/0	87901101	87901111	87901102	87901112	87901601	87901611	87901602	87901612
-1/+0,6	87902101	87902111	87902102	87902112	87902601	87902611	87902602	87902612
-1/+1,5	87903101	87903111	87903102	87903112	87903601	87903611	87903602	87903612
-1/+3	87904101	87904111	87904102	87904112	87904601	87904611	87904602	87904612
-1/+5	87905101	87905111	87905102	87905112	87905601	87905611	87905602	87905612
-1/+9	87906101	87906111	87906102	87906112	87906601	87906611	87906602	87906612
-1/+15	87907101	87907111	87907102	87907112	87907601	87907611	87907602	87907612
Price €								
0/0,6	87909101	87909111	87909102	87909112	87909601	87909611	87909602	87909612
0/1	87910101	87910111	87910102	87910112	87910601	87910611	87910602	87910612
0/1,6	87911101	87911111	87911102	87911112	87911601	87911611	87911602	87911612
0/2,5	87912101	87912111	87912102	87912112	87912601	87912611	87912602	87912612
0/4	87913101	87913111	87913102	87913112	87913601	87913611	87913602	87913612
0/6	87914101	87914111	87914102	87914112	87914601	87914611	87914602	87914612
0/10	87915101	87915111	87915102	87915112	87915601	87915611	87915602	87915612
0/16	87916101	87916111	87916102	87916112	87916601	87916611	87916602	87916612
0/25	87917101	87917111	87917102	87917112	87917601	87917611	87917602	87917612
0/40	87918101	87918111	87918102	87918112	87918601	87918611	87918602	87918612
Price €								
0/60	87919101	87919111	87919102	87919112	87919601	87919611	87919602	87919612
0/100	87920101	87920111	87920102	87920112	87920601	87920611	87920602	87920612
0/160	87921101	87921111	87921102	87921112	87921601	87921611	87921602	87921612
0/250	87922101	87922111	87922102	87922112	87922601	87922611	87922602	87922612
0/400	87923101	87923111	87923102	87923112	87923601	87923611	87923602	87923612
Price €								
0/600	87924101	87924111	87924102	87924112	87924601	87924611	87924602	87924612
0/1000	87925101	87925111	87925102	87925112	87925601	87925611	87925602	87925612

* psi graduation available at no additional cost.