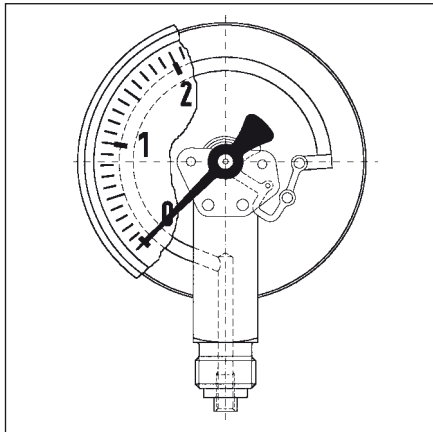


Glycerine filled Bourdon tube pressure gauges EN 837-1



Application

For gaseous and liquid media which are not highly viscous, do not crystallize and do not attack copper alloys.

For measurement in areas with high levels of vibration and high, dynamic pressure loads.

! When measuring gas or vapour, the instruments must be used in accordance with the safety recommendations of EN 837-2 (see appendix).

Type

D 7

Nominal size

50 – 63

Accuracy class (EN 837-1/6)

1.6

Ranges (EN 837-1/5)

-1/0 to -1/+15 bar
0/0.6 to 0/400 bar
NG 63 to 0/600 bar

Application area

Static load:

$\frac{3}{4}$ x full scale value

Dynamic load:

$\frac{2}{3}$ x full scale value

Short term:

full scale value

Operating temperature range

Medium: $T_{max} = +60\text{ }^{\circ}\text{C}$

Ambient: $T_{min} = -20\text{ }^{\circ}\text{C}$

$T_{max} = +60\text{ }^{\circ}\text{C}$

Temperature performance

Indication error when the temperature of the measuring element deviates from 20 °C:

rising temp. approx. $\pm 0.4\text{ } \%$ /10 K

falling temp. approx. $\pm 0.4\text{ } \%$ /10 K

percentage of full scale value

Protection

IP 65 (EN 60529)

with housing vent (≤ 25 bar)

IP 54

Standard version

Connection

Brass, bottom or centre back

G $\frac{1}{4}$ B - spanner size 14

(EN 837-1/7.3)

Measuring element

Bourdon tube element, copper alloy

≤ 60 bar „C“ type bourdon tube

> 60 bar helical tube

Movement

Brass

Dial

Aluminium, white

Dial marking black

Pointer

Aluminium, black

Housing

Stainless steel 304

with pressure relief port

Crimped bezel

Stainless steel 304

Front glass

Plastic

Filling liquid

Glycerine (99.5 %)

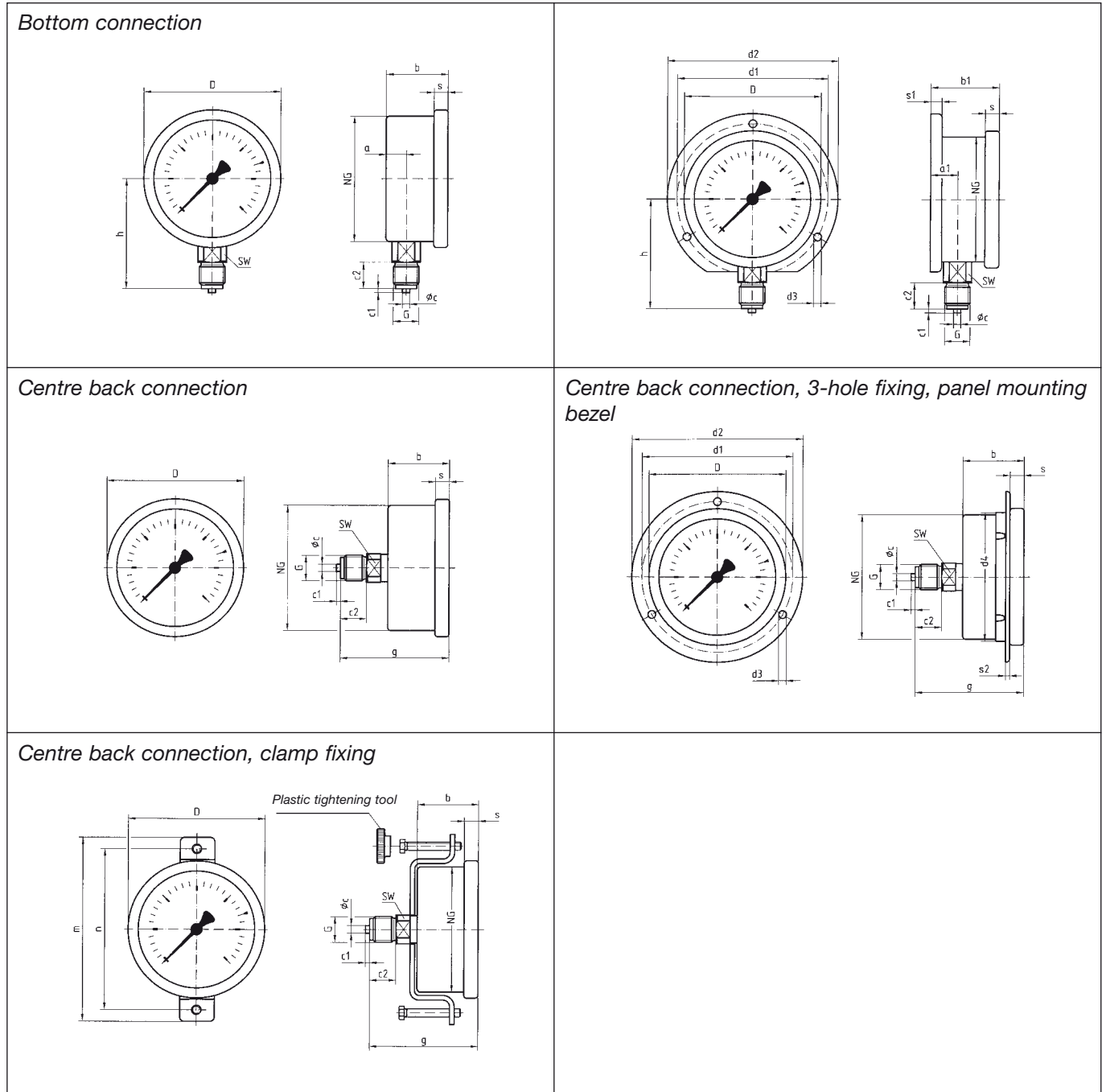
Options

- Filling liquid silicone oil
- Back flange (NG 63)
- Clamp fixing
- 3-hole fixing, panel mounting bezel (NG 63)
- Crimped bezel, polished
- Special scales
- Damping screw

Glycerine filled Bourdon tube pressure gauges

Type D 7 – NG 50/63

Housing types and dimensions



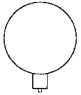
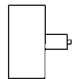
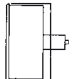
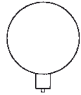
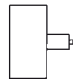
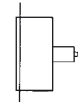
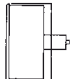
Dimensions (mm)

Nominal size (NG)	a	a ₁	b	b ₁	Øc	c ₁	c ₂	d ₁ *	d ₂	d ₃ *	d ₄	D	G	g	h	m	n	s	s ₁	s ₂	SW		
50	11	-	28	-	5	2	13	-	-	-	-	53	G ¹ / ₄ B	51	45.5	82	73	4.5	-	-	14		
63	9.5	13	30.5	34	5	2	13	75	85	3.6	64	68	G ¹ / ₄ B	53.3	53	94	82	7	5.5	2	14		

* Dimensions according to DIN 16063

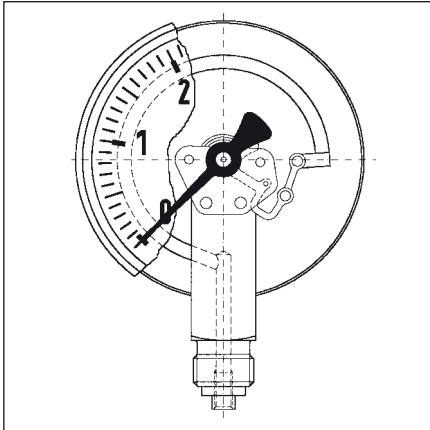
Glycerine filled Bourdon tube pressure gauges EN 837-1

DG: M

Type	RF50Gly,D701	RF50Gly,D711	RF50Gly,D751		RF63Gly,D701	RF63Gly,D711	RF63Gly,D731	RF63Gly,D751
Version								
Housing-Ø	50	50	50		63	63	63	63
Housing	Stainless steel 1.4301 with crimped bezel 1.4301, plastic front glass							
Meas. elem.	Bourdon tube element, copper alloy							
Accuracy class	1.6	1.6	1.6		1.6	1.6	1.6	1.6
Connection	G ¹ / ₄ B	G ¹ / ₄ B	G ¹ / ₄ B		G ¹ / ₄ B	G ¹ / ₄ B	G ¹ / ₄ B	G ¹ / ₄ B
			Clamp fixing		* Dual scale, bar outer, black, psi inner, red		3-hole fixing, panel mounting bezel 304	Clamp fixing
Range (bar)	Part no.	Part no.	Part no.		Part no.	Part no.	Part no.	Part no.
Price €								
-1/0	85051701	85051711	85051751		85101701	85101711	85101731	85101751
-1/+0,6	85052701	85052711	85052751		85102701	85102711	85102731	85102751
-1/+1,5	85053701	85053711	85053751		85103701	85103711	85103731	85103751
-1/+3	85054701	85054711	85054751		85104701	85104711	85104731	85104751
-1/+5	85055701	85055711	85055751		85105701	85105711	85105731	85105751
-1/+9	85056701	85056711	85056751		85106701	85106711	85106731	85106751
-1/+15	85057701	85057711	85057751		85107701	85107711	85107731	85107751
Price €								
0/0,6	85059701	85059711	85059751		85109701	85109711	85109731	85109751
0/1	85060701	85060711	85060751		85110701	85110711	85110731	85110751
0/1,6	85061701	85061711	85061751		85111701	85111711	85111731	85111751
0/2,5	85062701	85062711	85062751		85112701	85112711	85112731	85112751
0/4	85063701	85063711	85063751		85113701	85113711	85113731	85113751
0/6	85064701	85064711	85064751		85114701	85114711	85114731	85114751
0/10	85065701	85065711	85065751		85115701	85115711	85115731	85115751
0/16	85066701	85066711	85066751		85116701	85116711	85116731	85116751
0/25	85067701	85067711	85067751		85117701	85117711	85117731	85117751
0/40	85068701	85068711	85068751		85118701	85118711	85118731	85118751
Price €								
0/60	85069701	85069711	85069751		85119701	85119711	85119731	85119751
0/100	85070701	85070711	85070751		85120701	85120711	85120731	85120751
0/160	85071701	85071711	85071751		85121701	85121711	85121731	85121751
0/250	85072701	85072711	85072751		85122701	85122711	85122731	85122751
0/315					86818701	86818711	86818731	86818751
0/400	85073701	85073711	85073751		85123701	85123711	85123731	85123751
Price €								
0/600	---	---	---		85124701	85124711	85124731	85124751

* For single scales add the key code Z001 to Part No.
Minimum order quantity for non-stock items = 10 pieces

Glycerine filled Bourdon tube pressure gauges EN 837-1



Application

For gaseous and liquid media which are not highly viscous, do not crystallize and do not attack copper alloys.

For measurement in areas with high levels of vibration and high, dynamic pressure loads.

! When measuring gas or vapour, the instruments must be used in accordance with the safety recommendations of EN 837-2 (see appendix).

Type

D 7

Nominal size

80 – 100

Accuracy class (EN 837-1/6)

1.6

Ranges (EN 837-1/5)

-1/0 to -1/+15 bar
0/1 to 0/400 bar

Application area

Static load:

$\frac{3}{4}$ x full scale value

Dynamic load:

$\frac{2}{3}$ x full scale value

Short term:

full scale value

Operating temperature range

Medium: $T_{max} = +60\text{ °C}$

Ambient: $T_{min} = -20\text{ °C}$

$T_{max} = +60\text{ °C}$

Temperature performance

Indication error when the temperature of the measuring element deviates from 20 °C:

rising temp. approx. $\pm 0.4\%$ / 10 K

falling temp. approx. $\pm 0.4\%$ / 10 K

percentage of full scale value

Protection

IP 65 (EN 60529)

with housing vent (≤ 25 bar)

IP 54

Standard version

Connection

Brass, bottom

NG 80-100 G $\frac{1}{2}$ B – spanner size 22

Brass, centre back

NG 80 G $\frac{1}{4}$ B – spanner size 14

NG 100 G $\frac{1}{2}$ B – spanner size 22

(EN 837-1/7.3)

Measuring element

Bourdon tube element, copper alloy

≤ 60 bar „C“ type bourdon tube

> 60 bar helical tube

Movement

Brass

Dial

Aluminium, white

Dial marking black

Pointer

Aluminium, black

Housing

Stainless steel 304

with pressure relief port

Crimped bezel

Stainless steel 304

Front glass

Plastic (Makrolon)

Filling liquid

Glycerine (99.5 %)

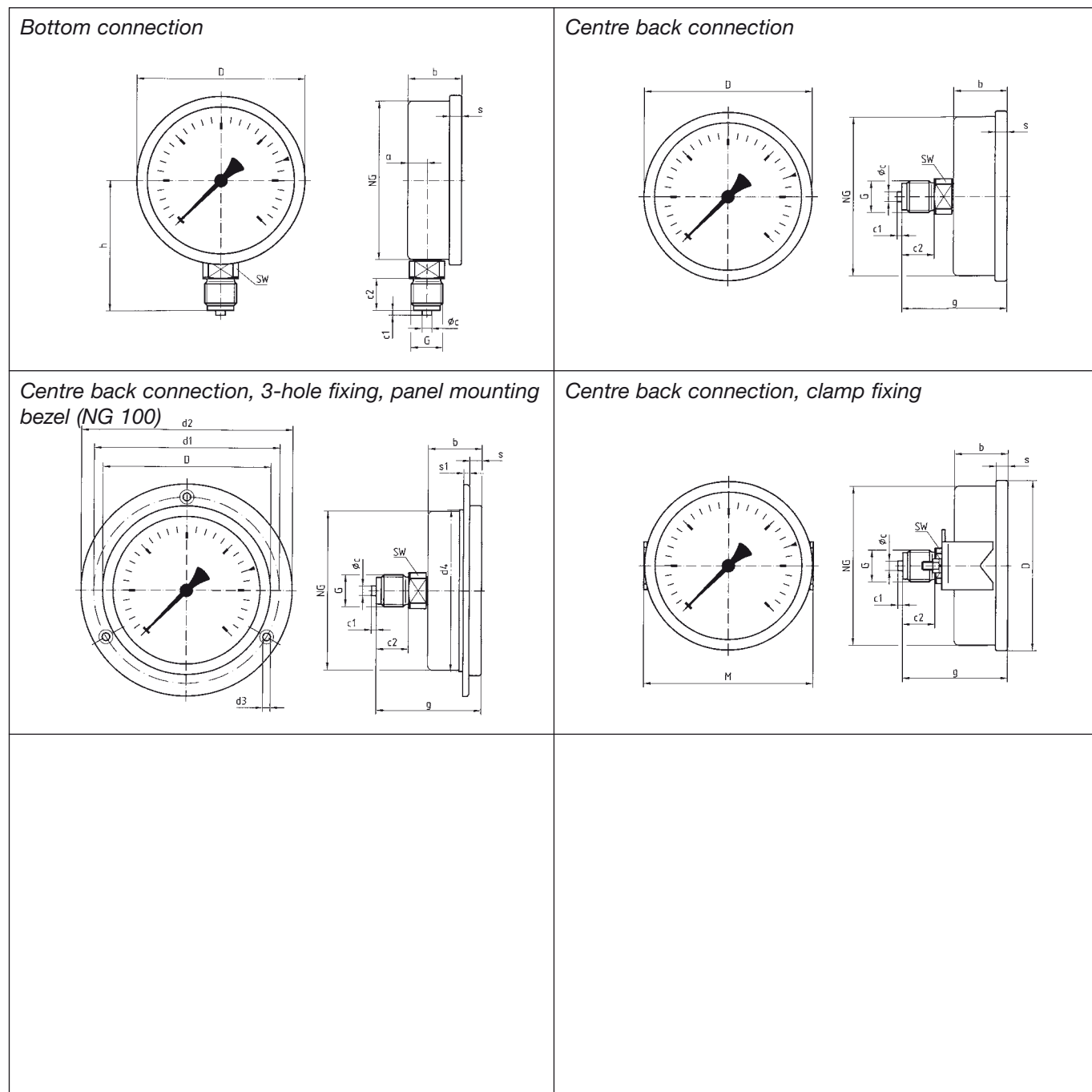
Options

- Filling liquid silicone oil
- Clamp fixing
- 3-hole fixing, panel mounting bezel (NG 100)
- Crimped bezel, polished
- Stainless steel measuring system (up to 1,000 bar)
- Special scales
- Damping screw

Glycerine filled Bourdon tube pressure gauges

Type D 7 – NG 80/100

Housing types and dimensions



Dimensions (mm)

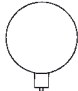
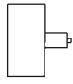
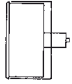
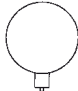
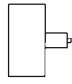
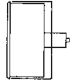
Nominal size (NG)	a	b	ϕ_c	c1	c2	d1	d2	d3	d4	D	g	G	h	M	s	s1	SW
80 Ms back	-	33.5	5	2	13	-	-	-	-	85	56.5	G ¹ / ₄ B	-	82	7	-	14
80 VA back	-	33.5	5	2	13	-	-	-	-	85	59	G ¹ / ₄ B	-	82	7	-	14
80 Ms bottom	12.2	33.5	6	3	20	-	-	-	-	85	-	G ¹ / ₂ B	71	-	7	-	22
80 VA bottom	12.2	33.5	6	3	20	-	-	-	-	85	-	G ¹ / ₂ B	79.5	-	7	-	22
100 Ms	12.2	33.5	6	3	20	116	132	4.8	101	106	65.5	G ¹ / ₂ B	81	106	7	3.8	22
100 VA	11.8	33.5	6	3	20	116	132	4.8	101	106	76.5	G ¹ / ₂ B	90	106	7	3.8	22

Glycerine filled Bourdon tube pressure gauges EN 837-1

DG: M

Measuring system brass

Measuring system stainless steel

Type	RF80Gly,D701	RF80Gly,D711	RF80Gly,D751		RF80EGly,D702	RF80EGly,D712	RF80EGly,D752	
Version								
Housing-Ø	80	80	80		80	80	80	
Housing	Stainless steel 304 with crimped bezel 304, plastic front glass							
Meas. elem.	Bourdon tube, brass				Bourdon tube, stainless steel 316 Ti or 316 L			
Accuracy class	1.6	1.6	1.6		1.6	1.6	1.6	
Connection	G ¹ / ₂ B	G ¹ / ₄ B	G ¹ / ₄ B		G ¹ / ₂ B	G ¹ / ₄ B	G ¹ / ₄ B	
			Clamp fixing				Clamp fixing	
Range (bar)	Part no.	Part no.	Part no.		Part no.	Part no.	Part no.	
Price €								
-1/0	85151701	85151711	85151751		85151702	85151712	85151752	
-1/+0,6	85152701	85152711	85152751		85152702	85152712	85152752	
-1/+1,5	85153701	85153711	85153751		85153702	85153712	85153752	
-1/+3	85154701	85154711	85154751		85154702	85154712	85154752	
-1/+5	85155701	85155711	85155751		85155702	85155712	85155752	
-1/+9	85156701	85156711	85156751		85156702	85156712	85156752	
-1/+15	85157701	85157711	85157751		85157702	85157712	85157752	
Price €								
0/1	85160701	85160711	85160751		85160702	85160712	85160752	
0/1,6	85161701	85161711	85161751		85161702	85161712	85161752	
0/2,5	85162701	85162711	85162751		85162702	85162712	85162752	
0/4	85163701	85163711	85163751		85163702	85163712	85163752	
0/6	85164701	85164711	85164751		85164702	85164712	85164752	
0/10	85165701	85165711	85165751		85165702	85165712	85165752	
0/16	85166701	85166711	85166751		85166702	85166712	85166752	
0/25	85167701	85167711	85167751		85167702	85167712	85167752	
0/40	85168701	85168711	85168751		85168702	85168712	85168752	
Price €								
0/60	85169701	85169711	85169751		85169702	85169712	85169752	
0/100	85170701	85170711	85170751		85170702	85170712	85170752	
0/160	85171701	85171711	85171751		85171702	85171712	85171752	
0/250	85172701	85172711	85172751		85172702	85172712	85172752	
0/400	85173701	85173711	85173751		85173702	85173712	85173752	
Price €								
0/600	---	---	---		85174702	85174712	85174752	
0/1000	---	---	---		85175702	85175712	85175752	
Add. costs					Price €	Price €	Price €	
class 1.0	---	---	---					

Glycerine filled Bourdon tube pressure gauges EN 837-1

DG: M

Measuring system brass

Measuring system stainless steel

Type	RF100Gly,D701	RF100Gly,D711	RF100Gly,D731	RF100Gly,D751	RF100EGly,D702	RF100EGly,D712	RF100EGly,D732	RF100EGly,D752
Version								
Housing-Ø	100	100	100	100	100	100	100	100
Housing	Stainless steel 304 with crimped bezel 304, plastic front glass							
Meas. elem.	Bourdon tube, brass				Bourdon tube, stainless steel 316 Ti or 316 L			
Accuracy class	1.6	1.6	1.6	1.6	1.6	1.6	1.6	1.6
Connection	G1/2B	G1/2B	G1/2B	G1/2B	G1/2B	G1/2B	G1/2B	G1/2B
			3-hole fixing, panel mounting bezel, 304	Clamp fixing			3-hole fixing, panel mounting bezel, 304	Clamp fixing
Range (bar)	Part no.	Part no.	Part no.	Part no.	Part no.	Part no.	Part no.	Part no.
Price €								
-1/0	85201701	85201711	85201731	85201751	85201702	85201712	85201732	85201752
-1/+0,6	85202701	85202711	85202731	85202751	85202702	85202712	85202732	85202752
-1/+1,5	85203701	85203711	85203731	85203751	85203702	85203712	85203732	85203752
-1/+3	85204701	85204711	85204731	85204751	85204702	85204712	85204732	85204752
-1/+5	85205701	85205711	85205731	85205751	85205702	85205712	85205732	85205752
-1/+9	85206701	85206711	85206731	85206751	85206702	85206712	85206732	85206752
-1/+15	85207701	85207711	85207731	85207751	85207702	85207712	85207732	85207752
Price €								
0/1	85210701	85210711	85210731	85210751	85210702	85210712	85210732	85210752
0/1,6	85211701	85211711	85211731	85211751	85211702	85211712	85211732	85211752
0/2,5	85212701	85212711	85212731	85212751	85212702	85212712	85212732	85212752
0/4	85213701	85213711	85213731	85213751	85213702	85213712	85213732	85213752
0/6	85214701	85214711	85214731	85214751	85214702	85214712	85214732	85214752
0/10	85215701	85215711	85215731	85215751	85215702	85215712	85215732	85215752
0/16	85216701	85216711	85216731	85216751	85216702	85216712	85216732	85216752
0/25	85217701	85217711	85217731	85217751	85217702	85217712	85217732	85217752
0/40	85218701	85218711	85218731	85218751	85218702	85218712	85218732	85218752
Price €								
0/60	85219701	85219711	85219731	85219751	85219702	85219712	85219732	85219752
0/100	85220701	85220711	85220731	85220751	85220702	85220712	85220732	85220752
0/160	85221701	85221711	85221731	85221751	85221702	85221712	85221732	85221752
0/250	85222701	85222711	85222731	85222751	85222702	85222712	85222732	85222752
0/400	85223701	85223711	85223731	85223751	85223702	85223712	85223732	85223752
Price €								
0/600	---	---	---	---	85224702	85224712	85224732	85224752
0/1000	---	---	---	---	85225702	85225712	85225732	85225752
Add. costs					Price €	Price €	Price €	Price €
class 1.0	---	---	---	---				