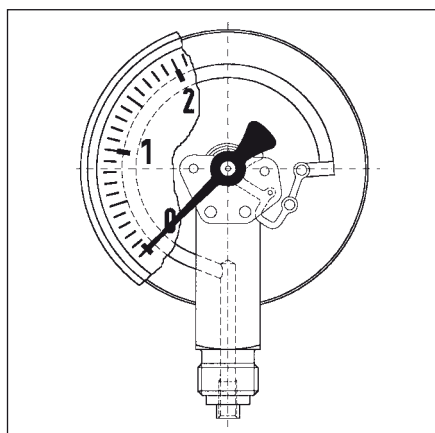


Precision Bourdon tube pressure gauges Class 0.6



Application

For gaseous and liquid media which are not highly viscous, do not crystallize and are not aggressive. For high measuring accuracy.

! When measuring gas or vapour, the instruments must be used in accordance with the safety recommendations of EN 837-2 (see appendix).

Type

D 4

Nominal size

160 - 250

Accuracy class (EN 837-1/6)

0.6

Ranges (EN 837-1/5)

-1/0 bar to -1/+15 bar

0/0.6 to 0/600 bar

Calibration medium

≤ 40 bar: air

> 40 bar: water

Application area

Static load:

$\frac{3}{4}$ x full scale value

Dynamic load:

$\frac{2}{3}$ x full scale value

Short term:

full scale value

Operating temperature range

Medium: $T_{max} = +60\text{ °C}$

Ambient: $T_{min} = -20\text{ °C}$

$T_{max} = +60\text{ °C}$

Temperature performance

Indication error when the temperature of the measuring element deviates from 20 °C:

rising temp. approx. $\pm 0.4\text{ \%/10 K}$

falling temp. approx. $\pm 0.4\text{ \%/10 K}$

percentage of full scale value

Protection

IP 54 (EN 60529)

Standard version

Connection

Brass, bottom or bottom back (only NG 160)

G $\frac{1}{2}$ B – spanner size 22 (EN 837-1/7.3)

Measuring element

Bourdon tube element, ≤ 100 bar „C“ type bourdon tube, copper alloy

> 100 bar helical tube, stainless steel 316 Ti or 316 L

Movement

Brass/nickel silver

jewel bearing

Dial

Aluminium, white

Dial marking black

Pointer

Knife edge pointer

Aluminium, black

Housing

Stainless steel 304

Bayonet type bezel

Stainless steel 304

Front glass

Plastic (PMMA)

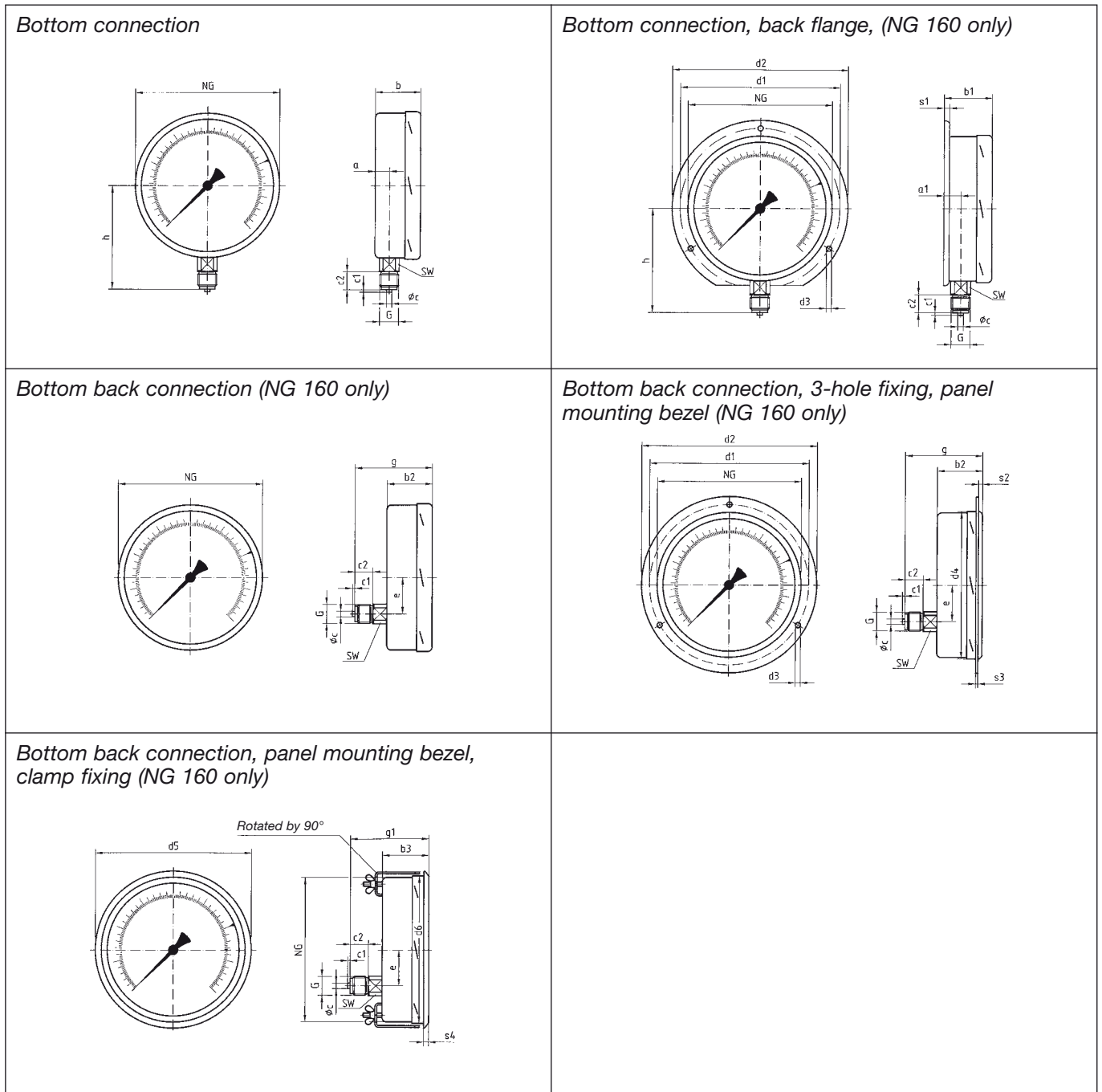
Options

- Glycerine filling (NG 160/type D 8)
- Wetted parts stainless steel (type D 4 x 2)
- Laminated safety front glass (NG 160)
- Back flange (NG 160)
- 3-hole fixing, panel mounting bezel (NG 160)
- Damping screw

Precision Bourdon tube pressure gauges Class 0.6

Type D 4 – NG 160/250

Housing types and dimensions



Dimensions (mm)

Nominal size (NG)	a	a1	b	b1	b2	b3	Øc	c1	c2	d1*	d2	d3*	d4	d5	d6	e	G	g	g1	h	s1
160	17.5	20.5	50	53	50	52	6	3	20	178	196	5.8	164	167	161	44.5	G1/2B	82	84	116	6
250	16	-	57	-	-	-	6	3	20	-	-	-	-	-	-	-	G1/2B	-	-	165	-
Nominal size (NG)	s2	s3	s4	SW																	
160	4	2	4.5	22																	
250	-	-	-	22																	

* Dimensions according to DIN 16070