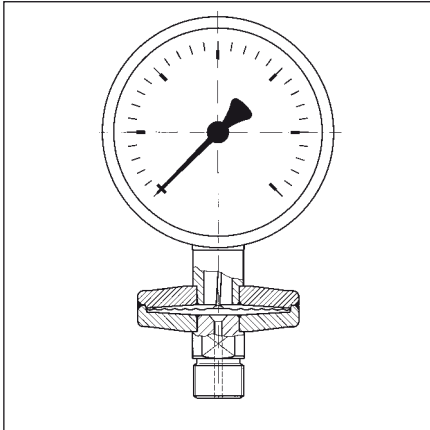


# Stainless steel diaphragm pressure gauges EN 837-3



## Application

For corrosive, gaseous and liquid media, also suitable for use in corrosive atmospheres. Also suitable for viscous and polluted media in conjunction with open connection flange. With clamp connection especially suitable for hygienic processes.

! When measuring gas or vapour, the instruments must be used in accordance with the safety recommendations of EN 837-2 (see appendix).

## Type

D 4

## Nominal size

100 – 160

## Accuracy class (EN 837-3/6)

1.6

## Ranges (EN 837-3/5)

0/40 mbar to 0/25 bar

## Application area

Static load:

full scale value

Dynamic load:

0.9 x full scale value

## Overpressure safety

1.3 x full scale value

## Operating temperature range

Medium:  $T_{max} = +100\text{ °C}$

Ambient:  $T_{min} = -20\text{ °C}$

$T_{max} = +60\text{ °C}$

## Temperature performance

Indication error when the temperature of the measuring element deviates from 20 °C:

rising temp. approx.  $\pm 0.8\text{ %}/10\text{K}$

falling temp. approx.  $\pm 0.8\text{ %}/10\text{K}$

percentage of full scale value

## Protection

IP 54 (EN 60529)

## Standard version

### Connection

Stainless steel 316 Ti or 316 L, bottom

G $1/2$ B – spanner size 22

(EN 837-3/7.3)

### Lower flange

Stainless steel 316 Ti or 316 L

### Upper flange

Stainless steel 316 Ti or 316 L

### Measuring element

Diaphragm:

40 mbar to 2.5 bar

stainless steel 316 Ti or 316 L

4 bar to 25 bar Duratherm

## Movement

Brass

## Dial

Aluminium, white

Dial marking black

## Pointer

Aluminium, black

## Housing

Stainless steel 304

with blow-out

## Bayonet type bezel

Stainless steel 304

## Front glass

Laminated safety glass

## Options

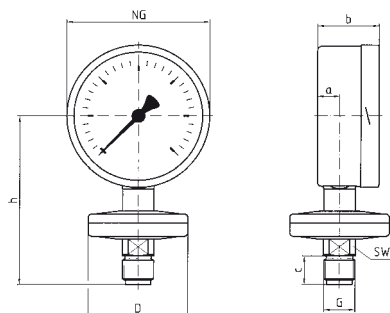
- Glycerine filling
- Wetted parts with special coating
- Clamp connection
- Flush mounting connection flanges according to EN
- Open connection flanges according to EN/ANSI
- Other connection threads
- Electrical contacts ( $\geq 0/0.6\text{ bar}$ )

# Stainless steel diaphragm pressure gauges

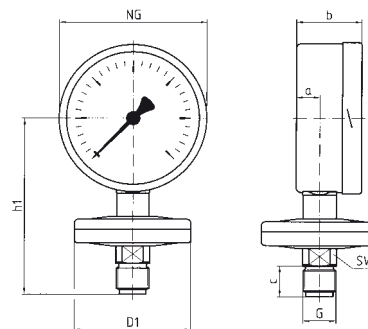
## Type D 4 – NG 100/160

### Housing types and dimensions (in mm)

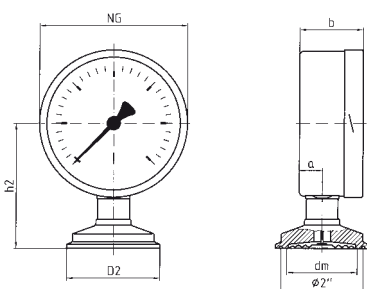
Bottom connection, 0/40 mbar to 0/2.5 bar



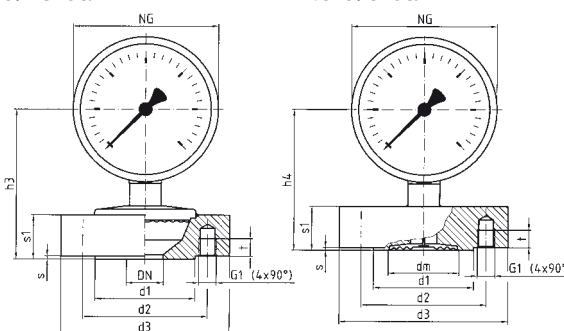
Bottom connection, 0/4 bar to 0/25 bar



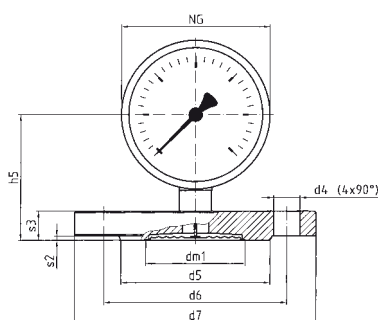
Clamp connection 2" according to ISO 2852, 0/1 bar to 0/6 bar



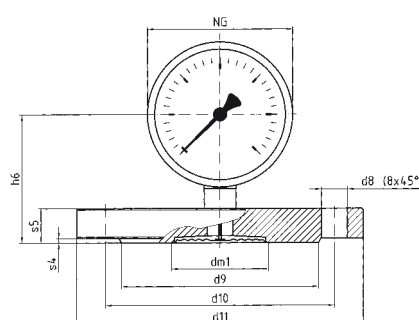
Connection flange according to EN 1092-1/B 1/DN 25/PN 40  
Open, 0/40 mbar to 0/25 bar  
Flush mounting, 0/1 bar to 0/6 bar



Flush mounting connection flange according to EN 1092-1/B 1/DN 50/PN 40, 0/40 mbar to 0/25 bar



Flush mounting connection flange according to EN 1092-1/B 1/DN 80/PN 40, 0/40 mbar to 0/25 bar

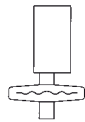
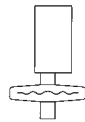
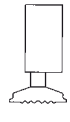
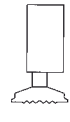
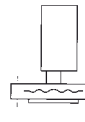
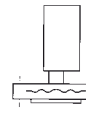
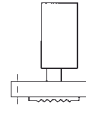
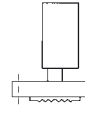


### Dimensions (mm)

Nominal size (NG)	a	b	c	d1	d2	d3	d4	d5	d6	d7	d8	d9	d10	d11	dm	dm1	D	D1	D2	DN
100	15.6	49	20	68	85	115	4xØ18	102	125	165	8xØ18	138	160	200	48	68	69	78	64	25
160	17.5	50	20	68	85	115	4xØ18	102	125	165	8xØ18	138	160	200	48	68	69	78	64	25
Nominal size (NG)	G	G1	h	h1	h2	h3	h4	h5	h6	s	s1	s2	s3	s4	s5	SW				
100	G1/2B	4xM12	117	117	86	102	96	86	90	2	30	3	20	3	24	22				
160	G1/2B	4xM12	148	148	117	133	127	117	121	2	30	3	20	3	24	22				

# Stainless steel diaphragm pressure gauges EN 837-3

DG: H

Type	PF100E, D402	PF160E, D402	PF100CP, D402	PF160CP, D402	PF100E, D402	PF160E, D402	PF100E, D402	PF160E, D402
Version								
Housing Ø	100	160	100	160	100	160	100	160
Housing	Stainless steel 304 with bayonet type bezel							
Meas. elem.	316 Ti or 316 L, ≥ 4 bar Duratherm		Stainless steel 316 Ti or 316 L		Stainless steel 316 Ti or 316 L, ≥ 4 bar Duratherm			
Flanges	Stainless steel 316 Ti or 316 L							
Accuracy class	1.6	1.6	1.6	1.6	1.6	1.6	1.6	1.6
Connection	G <sup>1</sup> / <sub>2</sub> B	G <sup>1</sup> / <sub>2</sub> B	Clamp 2" ISO 2852	Clamp 2" ISO 2852	Open connection flange according to EN 1092-1/ B 1/DN 25/PN 40		Flush mounting connection flange according to EN 1092-1/ B 1/DN 50/PN 40	
Range (mbar)	Part no.	Part no.	Part no.	Part no.	Part no.	Part no.	Part no.	Part no.
<b>Price €</b>								
0/10	---	---	---	---	---	---	---	---
0/16	---	---	---	---	---	---	---	---
0/25	---	---	---	---	---	---	---	---
0/40	85884402	85924402	---	---	88904402	88924402	88944402	88964402
0/60	85885402	85925402	---	---	88905402	88925402	88945402	88965402
0/100	85886402	85926402	---	---	88906402	88926402	88946402	88966402
0/160	85887402	85927402	---	---	88907402	88927402	88947402	88967402
0/250	85888402	85928402	---	---	88908402	88928402	88948402	88968402
0/400	85889402	85929402	---	---	88909402	88929402	88949402	88969402
Range (bar)								
<b>Price €</b>								
0/0,6	85890402	85930402	---	---	88910402	88930402	88950402	88970402
0/1	85891402	85931402	88980402	88990402	88911402	88931402	88951402	88971402
0/1,6	85892402	85932402	88981402	88991402	88912402	88932402	88952402	88972402
0/2,5	85893402	85933402	88982402	88992402	88913402	88933402	88953402	88973402
<b>Price €</b>								
0/4	85894402	85934402	88983402	88993402	88914402	88934402	88954402	88974402
0/6	85895402	85935402	88984402	88994402	88915402	88935402	88955402	88975402
0/10	85896402	85936402	---	---	88916402	88936402	88956402	88976402
0/16	85897402	85937402	---	---	88917402	88937402	88957402	88977402
0/25	85898402	85938402	---	---	88918402	88938402	88958402	88978402