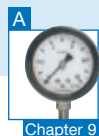


Chemical seal MD 70 for homogenising machines



- For high pressures
- Ideal for high dynamic loads
- Compact and robust design
- Easy integration into existing systems



Application For use with Bourdon tube pressure gauges and pressure transducers. For highly viscous media at high pressures. Specially for homogenising machines.

Technical specifications

Process connection

Stainless steel 316 L
loose retaining flange,
Stainless steel

Diaphragm

Stainless steel 316 L,
welded to upper body, no dead space

Instrument connection

Stainless steel 316 L
Welded connection

Pressure transmission liquid

Paraffin oil (FM 09), FDA-listed

Pressure ranges

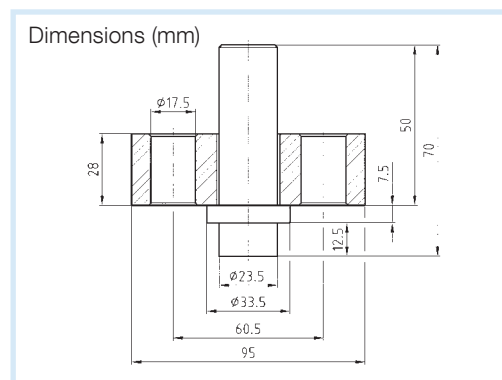
See price list section

Nominal pressure

PN 600

Options

- Nominal pressure PN 1600
- Other filling liquids



10

DG: M

MD 70 version for homogenising machines

Instrument connection stainless steel 316 L
Process connection stainless steel 316 L, DN 23.9, PN 600
Ranges 0/100 to 0/600 bar*

Price reduction without retaining flange

Part no.

31352W

Net

Price €

* Valid for standard pressure transmission liquid with direct mounting (without capillary tube) at a room temperature and temperature of the medium of 20 °C.