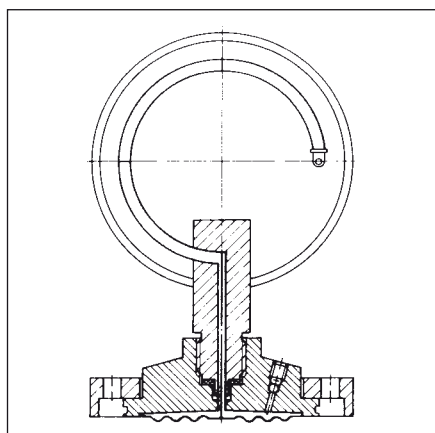


Diaphragm seals, standard version

Thread connection – type MD 30



Application

For use with Bourdon tube pressure gauges, pressure transducers or pressure switches.
For corrosive, viscous, polluted or hot media.

Technical specifications

Process connection/lower part

Stainless steel 316 Ti or 316 L (316 Ti)
G¹/₂B or ¹/₂ NPT
Female or male thread

Diaphragm

Stainless steel 1.4435 (316 L)

Seal

Viton (FPM)

Instrument connection/upper part

Stainless steel 1.4435 (316 L)
Welded connection

Retaining flanges

Stainless steel 316 Ti or 316 L (316 Ti)

Spacer ring

Stainless steel 316 Ti or 316 L (316 Ti)

Screws and nuts

Stainless steel A2

Filling liquid

Silicone oil (FM 01)

Pressure ranges

Refer to price list section

Nominal pressure

PN 25 to 250

Options

Process connection/lower part

- Special materials/coatings
- Other connection threads

Diaphragm

- Special materials/coatings

Seal

- Other materials

Instrument connection/upper part

- Adapter for instrument connection G¹/₄/G¹/₂
- Cooling element (> 100 °C)
- Capillary tube

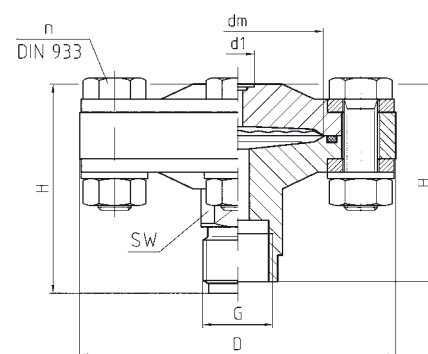
Screws/nuts/spacer ring

- Other materials

Miscellaneous

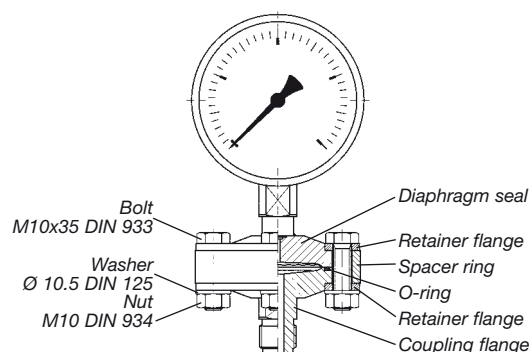
- Other filling liquids

Dimensions (in mm)



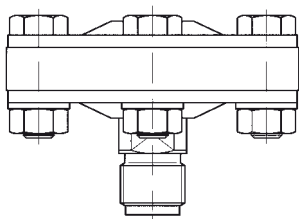

G	d1	PN	dm	D	H	n	SW
G ¹ / ₂	10	25	36	95	60	4xM10	22
G ¹ / ₂ B	10	25	36	95	63	4xM10	22
¹ / ₂ -14NPT	10	25	36	95	63	4xM10	22
G ¹ / ₂	10	100	36	95	60	4xM10	22
G ¹ / ₂ B	10	100	36	95	63	4xM10	22
¹ / ₂ -14NPT	10	100	36	95	63	4xM10	22
G ¹ / ₂	10	250	56	95	56	8xM10	22
G ¹ / ₂ B	10	250	56	95	79	8xM10	22
¹ / ₂ -14NPT	10	250	56	95	76	8xM10	22

Mounting example



Diaphragm seals, types MD 30/40

DG: M

	MD 30 standard version							
	Nominal pressure	Process connection	Minimum meas. range* (in bar) at nominal size				Part no.	Price €
			63	100	160	DMU		
	PN 25	Stainless steel 1.4571, G ^{1/2} B	0.6	0.6	0.6	0.6	31417W	
	PN 100	Stainless steel 1.4571, G ^{1/2} B	0.6	0.6	0.6	0.6	31331W	
	PN 250	Stainless steel 1.4571, G ^{1/2} B	0.6	0.6	0.6	0.6	31332W	
	Additional costs							
	Process connection G ^{1/2} B, PFA-coated							on request
Process connection 1/2-14 NPT								
Process connection 1/2-14 NPT, PFA-coated							on request	
Process connection G ^{1/2} female thread							no add. costs	
Process connection G ^{1/2} female thread, PFA-coated							on request	
	MD 40 version for the paper and pulp industries							
	Instrument connection stainless steel 1.4571, welded connection							
	Process connection stainless steel 1.4571, DN 48, PN 40 (with seal and screws)							
	Retaining flange 1.4301, ranges 0/1.6 to 0/40 bar*							
							Part no.	Price €
	Direct mounting connection						31347W	
	Spare parts/accessories							
6 screws M6 x 20						31418		
Spare seal, „Perbunan“ nitrile rubber 59 x 48 x 2						31419		
Welding flange 1.4301						31351		

* Valid for standard filling liquid, direct mounting (without capillary tube) and at a room and medium temperature of 20 °C.