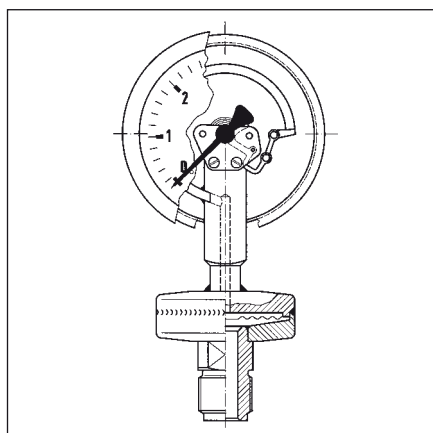


# Diaphragm seals, compact version



Compact version type MD 21



Compact version type MD 22



## Type MD 21

### Application

For use with Bourdon tube pressure gauges, pressure transducers or pressure switches.  
For corrosive, hot and polluted media at high pressures. Especially for use in the machinery and chemical industries.

## Technical specifications

### Process connection

Stainless steel 1.4571 (316 Ti)  
G<sup>1</sup>/<sub>2</sub>B to G2B, fixed thread

### Diaphragm

Stainless steel 1.4571 (316 Ti)  
flush mounting, welded flush to upper body

### Instrument connection

Welded connection

### Filling liquid

Silicone oil (FM 01)

### Pressure ranges

Refer to price list section

### Nominal pressure

PN 600 to 1000

## Options

- Adapter for instrument connection G<sup>1</sup>/<sub>4</sub>/G<sup>1</sup>/<sub>2</sub>
- Cooling element (> 100 °C)
- Capillary tube
- Other threads
- Other materials

## Type MD 22

### Application

For use with Bourdon tube pressure gauges, pressure transducers or pressure switches.  
For corrosive, hot and polluted media at high pressures. Especially for use in the machinery and chemical industries.

## Technical specifications

### Process connection

Stainless steel 1.4571 (316 Ti)  
G<sup>1</sup>/<sub>2</sub>B, fixed thread

### Upper and lower part

Stainless steel 1.4571 (316 Ti)  
welded

### Diaphragm

Stainless steel 1.4571 (316 Ti)  
internal, welded

## Instrument connection

Welded connection

## Filling liquid

Silicone oil (FM 01)

## Pressure ranges

Refer to price list section

## Nominal pressure

PN 40 to 250

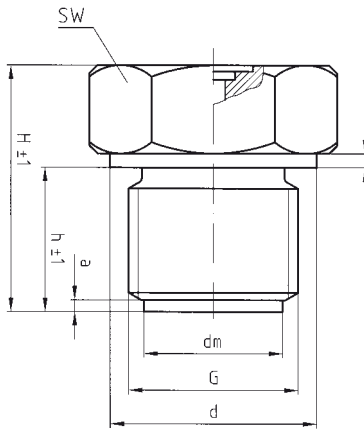
## Options

- Adapter for instrument connection G<sup>1</sup>/<sub>4</sub>/G<sup>1</sup>/<sub>2</sub>
- Cooling element (> 100 °C)
- Capillary tube
- Other threads
- Other materials
- Other filling liquids

# Diaphragm seals, compact version

Types and dimensions (mm)

## Type MD 21



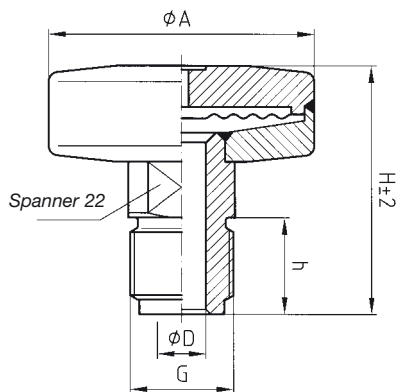
### Pipe thread according to ISO 228-1

G	d	dm	h	H	a	b	SW
G <sup>1</sup> / <sub>2</sub> B	26	17.2	17	33.5	3	3	27
G <sup>3</sup> / <sub>4</sub> B	32	23.5	19	34	3	3	32
G1B	39	28	21	36	3	3	41
G1 <sup>1</sup> / <sub>2</sub> B	55	40	25	48	3	3	55
G2B	68	50	27	56	3	3.5	70

### Pipe thread according to ANSI/ASME B1.20.1

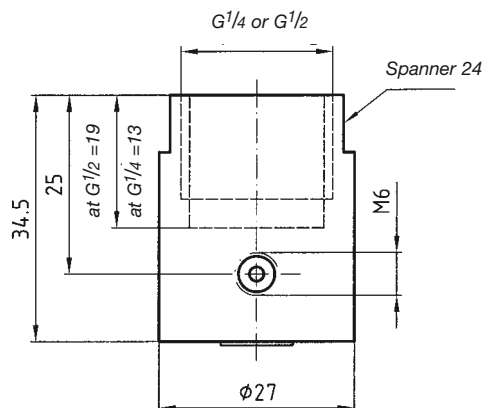
G	d	dm	h	H	a	b	SW
1"NPT	-	23.5	24	36	-	-	41
1 <sup>1</sup> / <sub>2</sub> "NPT	-	35	25	45	-	-	55
2"NPT	-	48	26	50	-	-	70

## Type MD 22

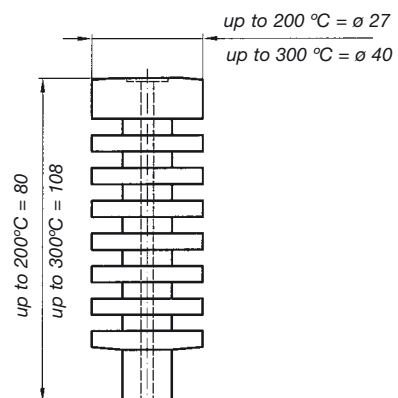


PN	G	ØA	ØD	h	H
40	G <sup>1</sup> / <sub>4</sub> B	55	6	13	44,5
40	G <sup>3</sup> / <sub>8</sub> B	55	6	16	47,5
40	G <sup>1</sup> / <sub>2</sub> B	55	10	20	51,5
40	1/4"NPT	55	6	15	46,5
40	1/2"NPT	55	10	20	51,5
250	G <sup>1</sup> / <sub>4</sub> B	40	6	13	44,5
250	G <sup>3</sup> / <sub>8</sub> B	40	6	16	47,5
250	G <sup>1</sup> / <sub>2</sub> B	40	10	20	51,5
250	1/4"NPT	40	6	15	46,5
250	1/2"NPT	40	10	20	51,5

## Adapter for instrument connection G<sup>1</sup>/<sub>4</sub>/G<sup>1</sup>/<sub>2</sub> with filling port

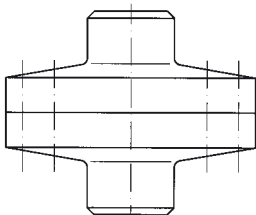
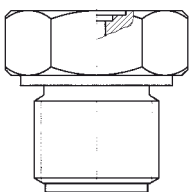
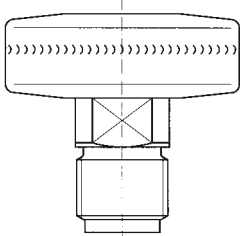


## Cooling element, can be welded at both ends



# Diaphragm seals, types MD 10/21/22

RK: M

	<b>MD 10 plastic version</b>								
	Diaphragm PTFE-coated, PN 10 (PVDF PN 16)								
	Diaphragm seal body	Process connection	Instrument connection	Minimum meas. range* (in bar) at nominal size				Part no.	Price €
				63	100	160	DMU		
	PVC	G <sup>1</sup> / <sub>4</sub>	G <sup>1</sup> / <sub>4</sub>	1.6	1.6	1.6	---	31411	
	PVC	G <sup>1</sup> / <sub>2</sub>	G <sup>1</sup> / <sub>2</sub>	1.6	1.6	1.6	---	31412	
	PP	G <sup>1</sup> / <sub>4</sub>	G <sup>1</sup> / <sub>4</sub>	1.6	1.6	1.6	---	31900	
	PP	G <sup>1</sup> / <sub>2</sub>	G <sup>1</sup> / <sub>2</sub>	1.6	1.6	1.6	---	31901	
	<b>MD 21 compact version</b>								
	Diaphragm stainless steel 316 Ti or 316 L, welded								
	Nominal pressure	Process connection	Instrument connection	Minimum meas. range* (in bar) at nominal size				Part no.	Price €
				63	100	160	DMU		
	PN 600	G <sup>1</sup> / <sub>2</sub> B	welded	10	100	100	1	31415W	
	PN 1,000	G <sup>3</sup> / <sub>4</sub> B	welded	4	100	100	1	31416W	
	<b>MD 22 compact version</b>								
	Diaphragm stainless steel 316 Ti or 316 L, internal, welded								
	Nominal pressure	Process connection	Instrument connection	Minimum meas. range* (in bar) at nominal size				Part no.	Price €
				63	100	160	DMU		
	PN 40	G <sup>1</sup> / <sub>4</sub> B	welded	0.6	0.6	0.6	0.6	31997W	
PN 40	G <sup>1</sup> / <sub>2</sub> B	welded	0.6	0.6	0.6	0.6	31998W		
PN 40	<sup>1</sup> / <sub>2</sub> -14 NPT	welded	0.6	0.6	0.6	0.6	31999W		
PN 250	G <sup>1</sup> / <sub>4</sub> B	welded	4	4	4	4	32000W		
PN 250	G <sup>1</sup> / <sub>2</sub> B	welded	4	4	4	4	32001W		
PN 250	<sup>1</sup> / <sub>2</sub> -14 NPT	welded	4	4	4	4	32002W		

\* Valid for standard filling liquid, direct mounting (without capillary tube) and at a room and medium temperature of 20 °C.