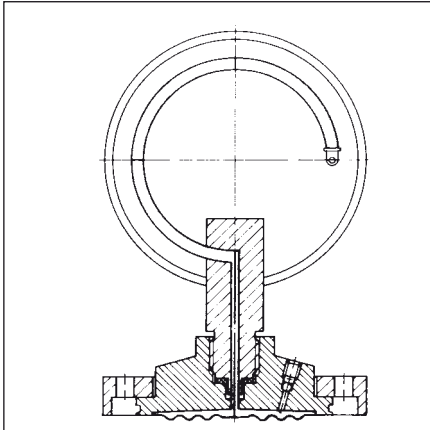


Diaphragm seals plastic version – type MD 10



Type MD 10

Dimensions (in mm)

Application

For use with Bourdon tube pressure gauges or pressure switches. Especially designed for polluted waste water, fertilizers, corrosive media.

Technical specifications

Process connection

PVC, PP, PVDF
Female thread G¹/₂ or G¹/₄

Diaphragm

EPDM, PTFE-coated
internal

Instrument connection

Female thread G¹/₂ or G¹/₄

Screws and nuts

Stainless steel

Pressure ranges

Refer to price list section

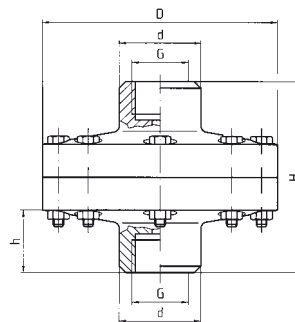
Operating temperature range

PVC, PP -10 °C/+40 °C

PVDF -10 °C/+50 °C

Options

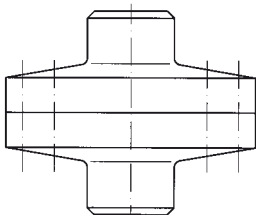
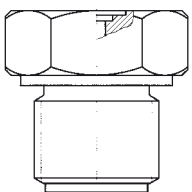
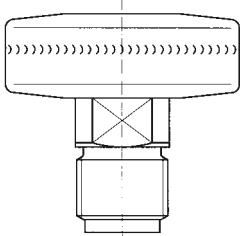
- Other process connections
- Other materials



G	d	D	h	H
G ¹ / ₄	25	72	15	71
G ¹ / ₂	32	100	22	90

Diaphragm seals, types MD 10/21/22

RK: M

	MD 10 plastic version								
	Diaphragm PTFE-coated, PN 10 (PVDF PN 16)								
	Diaphragm seal body	Process connection	Instrument connection	Minimum meas. range* (in bar) at nominal size				Part no.	Price €
				63	100	160	DMU		
	PVC	G ¹ / ₄	G ¹ / ₄	1.6	1.6	1.6	---	31411	
	PVC	G ¹ / ₂	G ¹ / ₂	1.6	1.6	1.6	---	31412	
	PP	G ¹ / ₄	G ¹ / ₄	1.6	1.6	1.6	---	31900	
	PP	G ¹ / ₂	G ¹ / ₂	1.6	1.6	1.6	---	31901	
	PVDF	G ¹ / ₄	G ¹ / ₄	4	4	4	---	31902	
	PVDF	G ¹ / ₂	G ¹ / ₂	4	4	4	---	31903	
	MD 21 compact version								
	Diaphragm stainless steel 316 Ti or 316 L, welded								
	Nominal pressure	Process connection	Instrument connection	Minimum meas. range* (in bar) at nominal size				Part no.	Price €
				63	100	160	DMU		
	PN 600	G ¹ / ₂ B	welded	10	100	100	1	31415W	
	PN 1,000	G ³ / ₄ B	welded	4	100	100	1	31416W	
	PN 1,000	G1B	welded	4	4	4	1	31328W	
	PN 600	G ¹ / ₂ B	welded	0.6	1.6	1.6	0.6	31329W	
	PN 600	G2B	welded	0.6	0.6	0.6	0.6	31330W	on request
	MD 22 compact version								
	Diaphragm stainless steel 316 Ti or 316 L, internal, welded								
	Nominal pressure	Process connection	Instrument connection	Minimum meas. range* (in bar) at nominal size				Part no.	Price €
				63	100	160	DMU		
	PN 40	G ¹ / ₄ B	welded	0.6	0.6	0.6	0.6	31997W	
	PN 40	G ¹ / ₂ B	welded	0.6	0.6	0.6	0.6	31998W	
	PN 40	¹ / ₂ -14 NPT	welded	0.6	0.6	0.6	0.6	31999W	
	PN 250	G ¹ / ₄ B	welded	4	4	4	4	32000W	
	PN 250	G ¹ / ₂ B	welded	4	4	4	4	32001W	
	PN 250	¹ / ₂ -14 NPT	welded	4	4	4	4	32002W	

* Valid for standard filling liquid, direct mounting (without capillary tube) and at a room and medium temperature of 20 °C.