

Flue gas analyser MAXILYZER NG



- Robust housing, dust- and water-tight, with vent valve
- Sensor equipment with up to six measuring cells possible
- Flushing function, depending on intensity of measurement
- Powerful battery (24 hours of operation with active display backlit function)
- Integrated printer



Application Universal application for measuring small and medium-sized oil, gas and pellets fired heating systems according to the German Federal Immission Act and for CO concentration safety checks at gas fired systems. Ideally suited for servicing solid fuel systems (e.g. log wood fired systems with short-term CO peaks up to 20,000 ppm) or bivalent, modulating CHP systems. The gas treatment system MAXISYS-TEM is required for precise gas analyses during long-term measurements or at different sites subject to pollution and condensate in the flue gas.

Description Flue gas analyser with integrated thermal printer and dual-stage gas treatment system (condensate filter cartridge and dust filter cartridge) in plastic housing with dust and splash water protection. A graphical, bright, backlit LC display allows for indication of ten measured values. Hold and zoom functions, core search, 15-minute mean value programme (solid fuels), conversion of units, automatic instrument check during programme start and graphical evaluation of the measured values with combustion chart ensure maximum ease of use. Memory for 100 measurement blocks. With sensor status diagnostics and automatic CO flushing function via a second pump to protect the sensors. MAXILYZER NG can be equipped with up to six measuring cells (O₂, CO_{H2}, CO_{20,000}, NO, NO₂, SO₂). Calculated parameters: CO undiluted (air-free), lambda, CO₂, eta efficiency, flue gas loss qA. Powerful battery with intelligent quick-charging technology.

Technical specifications

Measuring ranges (measured values)

Flue gas temperature/differential temperature
0/+1,000 °C

Air temperature/combustion air temperature
-20/+200 °C

Draft
±70 hPa

Differential pressure
±150 hPa

O₂
0/21 % by volume

CO_{H2}
0/4,000 ppm

CO
0/20,000 ppm

NO
0/2,000 ppm

NO₂
0/200 ppm

SO₂
0/2,000 ppm

Indication (calculated values)
CO₂, CO undiluted (air free), lambda, eta efficiency, flue gas losses qA

Operating temperature range

Ambient: +5/+40 °C
Storage: -20/+50 °C

Weight (housing)
2.8 kg

Dimensions
W x H x D 273 x 125 x 247 mm

Display
LCD, W x H: 60 x 80 mm

Degree of protection
IP 65 (when closed)

Connections
Draft/pressure: Ø 7 mm
Gas: Ø 8 mm

Supply voltage
NiMH battery
(6 V/4.5 Ah)

Hours of operation
24 hours

Memory
Up to 100 memory blocks

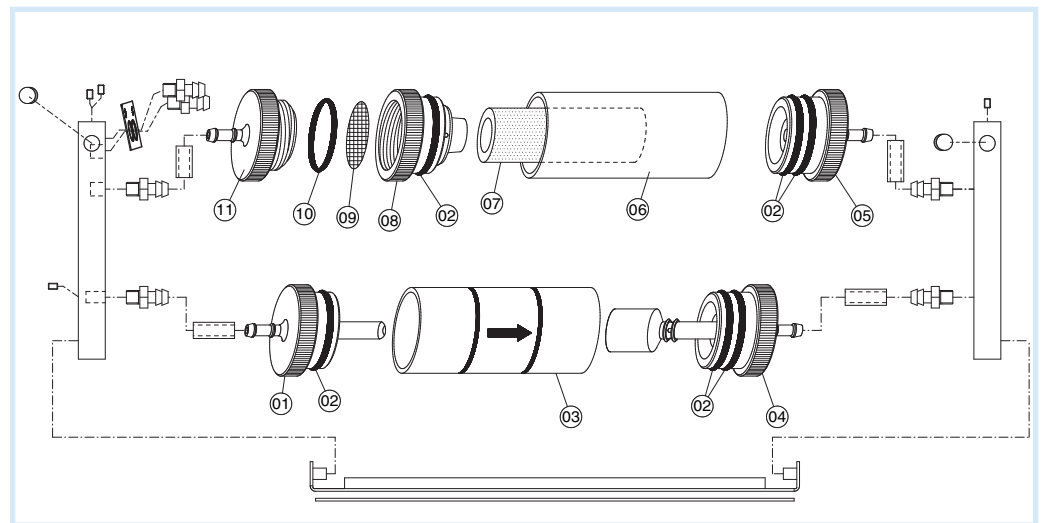
Interfaces
USB, Bluetooth

Approvals

BimSchV, KÜO (TÜV ByRgG 247), EN 50379-2

Scope of deliveryMaxilyzer NG with max. 6 cells (O₂, CO_{H2}, CO_{20,000}, NO, NO₂, SO₂), calibration report, case with charger, ambient air probe, flue gas combination probe, connection kit for differential pressure measurement

DG: H	Part no.	Price €
MAXILYZER NG O ₂ , CO _{H2} , draft, differential pressure	69233	
MAXILYZER NG O ₂ , CO _{H2} , NO, draft, differential pressure	69234	
MAXILYZER NG O ₂ , CO _{H2} , CO _{20,000} , draft, differential pressure	69237	
MAXILYZER NG O ₂ , CO _{H2} , CO _{20,000} , NO, draft, differential pressure	69235	
Options: Immediate installation when instrument is ordered		
Bluetooth	69236	
Mean value programme for solid fuels in the case of solid fuel systems	68984	
CO measuring cell: CO-20,000 ppm	69535	
SO₂ measuring cell: SO₂-2,000 ppm	69537	
Accessories		
Printer paper (5 rolls)	69481	
Please enquire for maintenance contracts.		

Gas treatment system MAXILYZER NG/MAXILYZER NG Plus

13

DG: H	Part no.	Price €
Spare parts for gas treatment system MAXILYZER NG / MAXILYZER NG Plus		
01 Inlet piece	695 000 94	
02/10 Assortment of O rings	69427	
03 Glass piston with arrow	695 000 95	
04 Outlet piece with cylinder	695 000 91	
05 Inlet piece particle filter element	695 000 93	
06 Glass piston with logo	695 000 99	
07 Infiltec fine filter (5 pieces)	69412	
08 Intermediate piece	695 000 97	
09 Teflon membrane (10 pieces)	69206	
11 Outlet piece	695 000 98	

i

See page 542 for gas cooling and filtration with MAXISYSTEM.