

## Medium- to High-Pressure Piston-Sensing, Pressure-Reducing Regulators (KPP Series)

The KPP series meets the demands of a wide range of gas or liquid applications in a lightweight, compact installation footprint. These features make the KPP pressure regulator an ideal pressure control solution within high-density OEM equipment.

### Features

- Lightweight, compact design
- Live-loaded body seals
- Low internal volume
- High-flow, dual-gauze type filter positively retained in inlet port

### Technical Data

#### Maximum Inlet Pressure

- 6000 psig (413 bar)

#### Pressure Control Ranges

- 0 to 1000 psig (68.9 bar) through 0 to 3600 psig (248 bar)

#### Flow Coefficient (C<sub>v</sub>)

- 0.02 and 0.06

See page 48 for flow graphs.

#### Maximum Operating Temperature

- 392°F (200°C) with 2000 psig (137 bar) maximum inlet pressure
- 212°F (100°C) with maximum inlet pressure greater than 2000 psig (137 bar)

#### Weight

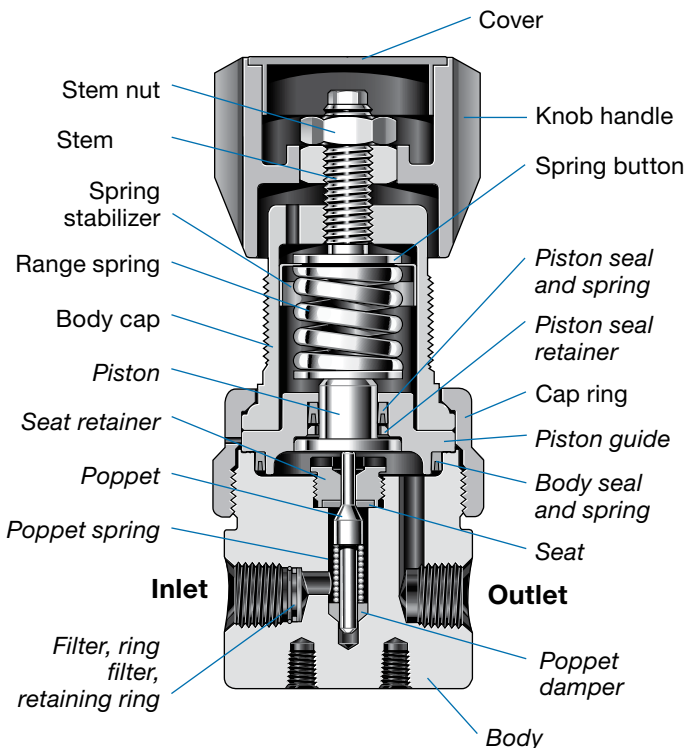
- 2.5 lb (1.2 kg)

#### Ports

- 1/4 in. female NPT inlet, outlet, and gauge ports



### Materials of Construction



Component	Material
Knob handle, cover	Nylon with 316 SS insert
Spring button	316 SS (0 to 3000 and 0 to 3600 psig range) Zinc-plated steel (all other ranges) <sup>①</sup>
Spring stabilizer <sup>②</sup>	301 SS
Range spring	Zinc-plated steel
Stem, stem nut, cap ring, body cap, panel nuts <sup>③</sup>	316 SS
Nonwetted lubricant	Hydrocarbon-based
<i>Body, seat retainer, filter, retaining ring, piston, piston guide</i>	316 SS
<i>Seat, piston seal retainer</i>	PEEK
<i>Poppet</i>	S17400 SS
<i>Poppet spring</i>	Alloy X-750
<i>Piston seal spring, body seal spring</i>	Elgiloy
<i>Poppet damper, filter ring, piston seal, body seal</i>	PTFE
<i>Wetted lubricant</i>	PTFE-based

Wetted components listed in *italics*.

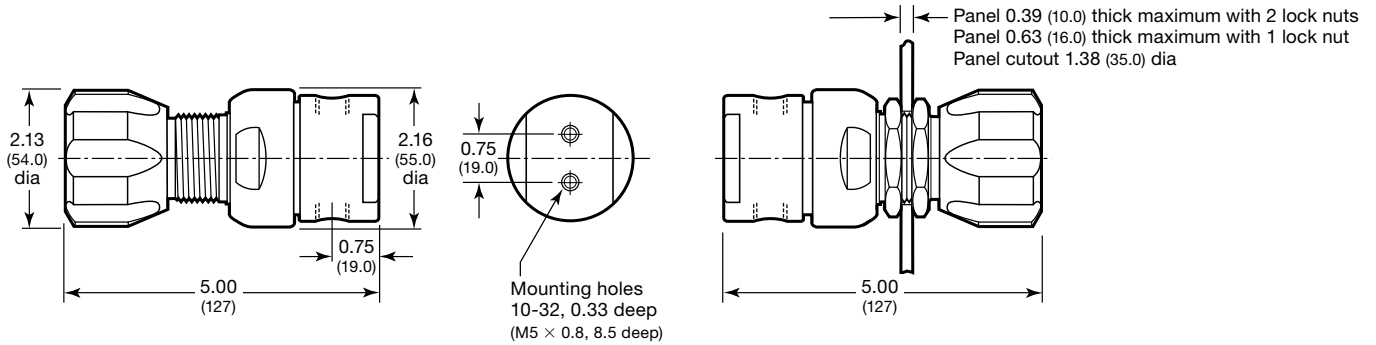
① 316 SS in regulators with 0 to 2000 psig (0 to 137 bar) control range with 6000 psig (413 bar) inlet pressure and regulators with 0 to 2000 psig (0 to 137 bar) control range, 4000 psig (275 bar) inlet pressure, and 0.06 C<sub>v</sub>.

② Not included in regulators with 316 SS spring button.

③ Not shown.

## Dimensions

Dimensions, in inches (millimeters), are for reference only and are subject to change.



## Ordering Information

Build a KPP series regulator ordering number by combining the designators in the sequence shown below.

4 5 6 7 8 9 10 11 12 13 14 15 16  
**KPP 1 L W A 4 2 2 P 2 0 0 0 0**

### 4 Body Material

- 1 = 316 SS
- A = 316 SS, ASTM G93 Level E-cleaned

### 5 Pressure Control Range

- L = 0 to 1000 psig (0 to 68.9 bar)
- M = 0 to 1500 psig (0 to 103 bar)
- N = 0 to 2000 psig (0 to 137 bar)
- P = 0 to 3000 psig (0 to 206 bar)<sup>①</sup>
- R = 0 to 3600 psig (0 to 248 bar)<sup>①</sup>

<sup>①</sup> Not available with 2000 psig (137 bar) maximum inlet pressure.

### 6 Maximum Inlet Pressure<sup>①</sup>

- N = 2000 psig (137 bar)
- S = 4000 psig (275 bar)
- W = 6000 psig (413 bar)

<sup>①</sup> For better resolution and control, select a pressure that closely matches system pressure.

### 7 Port Configuration

- A, B, C, E, F, H, K, L, M, N
- See **Port Configurations**, page 52.

### 8 Ports

- 4 = 1/4 in. female NPT

### 9 Seat, Seal Material

- 2 = PEEK, PTFE

### 10 Flow Coefficient (C<sub>v</sub>)

- 1 = 0.02
- 2 = 0.06

### 11 Sensing Mechanism, Vent

- P = 316 SS piston, no vent
- V = 316 SS piston, captured vent, no self vent

### 12 Handle, Mounting

- 2 = Knob
- 3 = 316 SS antitamper nut
- 6 = Knob, panel mount
- 7 = 316 SS antitamper nut, panel mount
- For knob handle color options, see page 56.

### 13 Isolation Valves

- 0 = No valves
- For isolation valve options, see page 54.

### 14 Cylinder Connections

- 0 = No connections

### 15 Gauges

- 0 = No gauges
- For inlet and outlet gauge options, see page 54.

### 16 Options

- 0 = No options