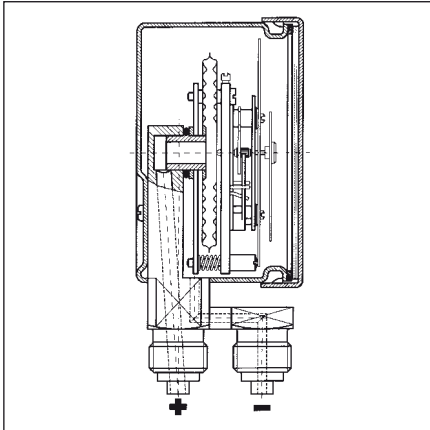


Standard capsule type pressure gauges for differential pressure



Application

For differential pressure measurement of gaseous, dry media which are non-corrosive. Especially suitable for filter loss measurement in air conditioning and ventilation applications.

! When measuring gas or vapour, the instruments must be used in accordance with the safety recommendations of EN 837-2 (see appendix).

Type

D 9/D 4

Nominal size

63 – 100 – 160

Function

The „plus“ pressure (= high pressure) is applied to the inside of the diaphragm. The „minus“ pressure (= low pressure) is applied to the inside of the pressure tight housing. The pressure difference causes the diaphragm to change its shape, thus generating the movement required to measure the pressure. This displacement is picked up by the movement. The differential pressure is directly indicated by the pointer of the gauge.

Accuracy class (EN 837-3/6)

1.6

Ranges (EN 837-3/5)

NG 63 0/16 to 0/400 mbar
 NG 100 0/ 6 to 0/400 mbar
 NG 160 0/ 4 to 0/400 mbar

Refer to page 389 for prices

Application area

Static load:
 full scale value
 Dynamic load:
 0.9 x full scale value

Overpressure safety

full scale value

Maximum static pressure

400 mbar

Operating temperature range

Medium: $T_{max} = +60\text{ °C}$
 Ambient: $T_{min} = -20\text{ °C}$
 $T_{max} = +60\text{ °C}$

Temperature performance

Indication error when the temperature of the measuring element deviates from 20 °C:
 rising temp. approx. $\pm 0.6\text{ \%/10K}$
 falling temp. approx. $\pm 0.6\text{ \%/10K}$
 percentage of full scale value

Protection

IP 66 (EN 60529)

Standard version

Connection (wetted parts)

NG 63: 2 x G¹/₄B – spanner size 14 centre back (brass)
 NG 100: 2 x G¹/₂B – spanner size 22 bottom (stainless steel)
 2 x G¹/₂B – spanner size 22 centre back (brass)
 (EN 837-3/7.3)

Measuring element (wetted part)

Capsule element, CuBe alloy

Movement (wetted part)

Brass

Seal (wetted part)

„Perbunan“ nitrile rubber

Dial (wetted part)

Aluminium, white
 Dial marking black

Pointer (wetted part)

Aluminium, black

Housing (wetted part)

Stainless steel 304

Bayonet type bezel/crimped bezel

Stainless steel 304

Front glass (wetted part)

Plastic (PMMA)

Mounting

Wall mounting via back flange or 3-hole fixing, panel mounting bezel (each as option). Direct mounting to rigid measuring pipe possible.

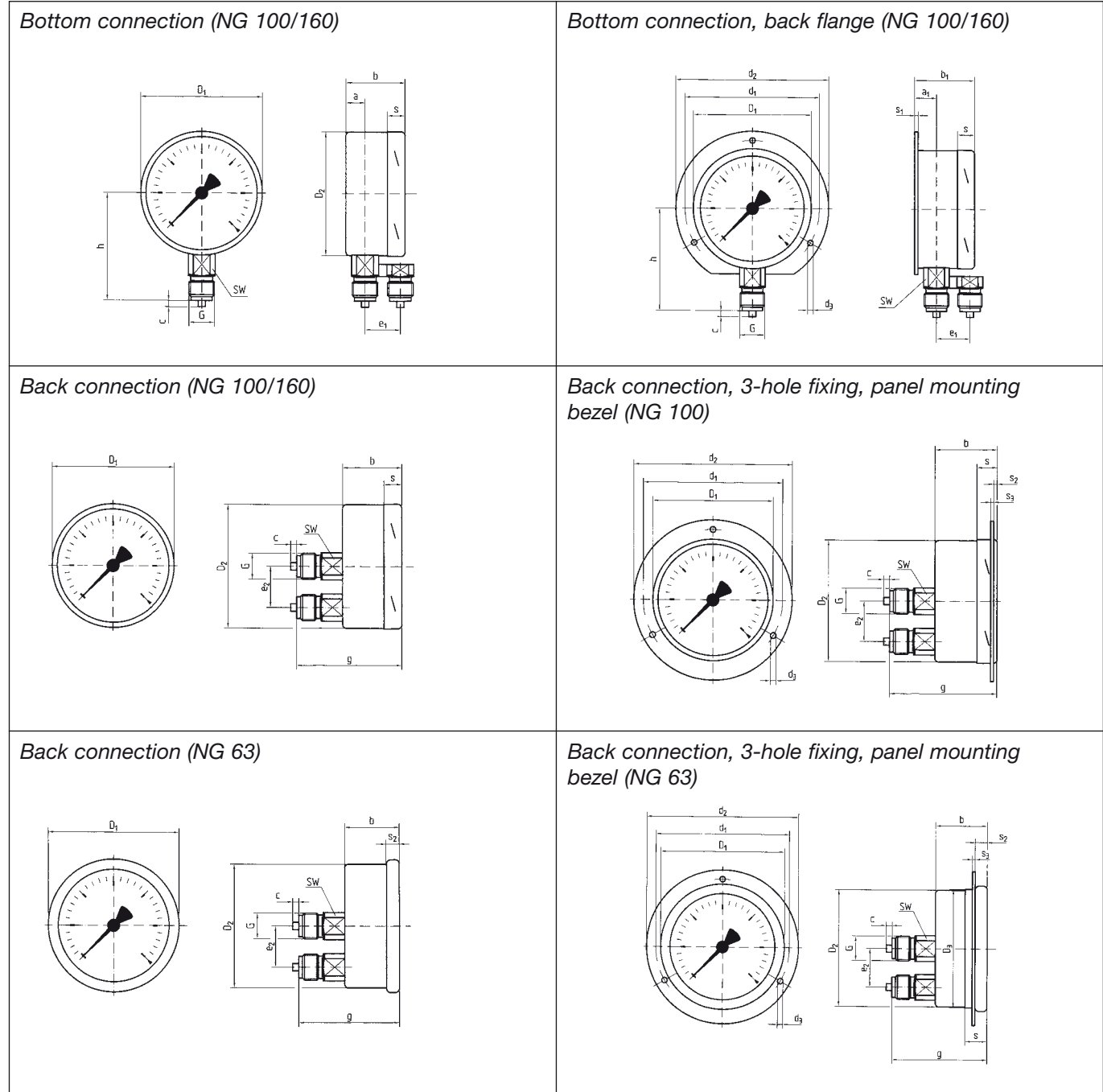
Options

- Back flange
- 3-hole fixing, panel mounting bezel
- Hose connections

Standard capsule type pressure gauges for differential pressure

Type D 9 – NG 63/Type D 4 – NG 100/160

Housing types and dimensions



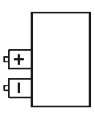
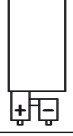
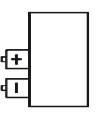
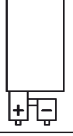
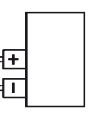
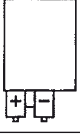
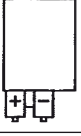
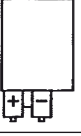
Dimensions (mm)

Nominal size (NG)	a	a ₁	b	b ₁	c	d ₁ *	d ₂	d ₃ *	D ₁	D ₂	D ₃	e ₁	e ₂	g	G	h	S	S ₁	S ₂	S ₃	SW	
63	-	-	30.5	-	2	75	85	3.6	68	62	64.3	-	20	53	G ¹ / ₄ B	-	14	-	6	2	14	
100	16	18	49	51	3	116	133	4.5	101	99	-	32	34.5	79	G ¹ / ₂ B	86	20	5	2.5	3	22	
160	16	19	49	52	3	178	196	4.5	161	159	-	32	34.5	79	G ¹ / ₂ B	118	20	6	4.5	2	22	

* Dimensions according to DIN 16063/16064

Standard capsule type/Bourdon tube pressure gauges for differential pressure

DG: M

Type	KP63Dif, D911	KP100Dif, D401	KP100Dif, D411	KP160Dif, D401	KP160Dif, D411	RF100Dif, D201	RF100Dif, D301	RF160Dif, D101
Version								
Housing Ø	63	100	100	160	160	100	100	160
Housing	Stainless steel 304, plastic front glass					Sheet steel	Stainless steel	Polyamide
Meas. elem.	Capsule element, CuBe alloy					Bourdon tube element, copper alloy		
Accuracy class	1.6	1.6	1.6	1.6	1.6	1.6	1.6	1.6
Connection	G ¹ / ₄ B	G ¹ / ₂ B	G ¹ / ₂ B	G ¹ / ₂ B	G ¹ / ₂ B	G ¹ / ₂ B	G ¹ / ₂ B	G ¹ / ₂ B
						Dual scale bar/mWC, black		
Range	Part no.	Part no.	Part no.	Part no.	Part no.	Part no.	Part no.	Part no.
Price €								
0/4 mbar	---	---	---	35612401	35612411	---	---	---
0/6 mbar	---	35563401	35563411	35613401	35613411	---	---	---
0/10 mbar	---	35564401	35564411	35614401	35614411	---	---	---
0/16 mbar	35515911	35565401	35565411	35615401	35615411	---	---	---
0/25 mbar	35516911	35566401	35566411	35616401	35616411	---	---	---
0/40 mbar	35517911	35567401	35567411	35617401	35617411	---	---	---
0/60 mbar	35518911	35568401	35568411	35618401	35618411	---	---	---
0/100 mbar	35519911	35569401	35569411	35619401	35619411	---	---	---
0/160 mbar	35520911	35570401	35570411	35620401	35620411	---	---	---
0/250 mbar	35521911	35571401	35571411	35621401	35621411	---	---	---
0/400 mbar	35522911	35572401	35572411	35622401	35622411	---	---	---
Price €								
0/0.6 bar	---	---	---	---	---	85609201	85609301	---
0/1 bar	---	---	---	---	---	85610201	85610301	85660101
0/1,6 bar	---	---	---	---	---	85611201	85611301	85661101
0/2,5 bar	---	---	---	---	---	85612201	85612301	85662101
0/4 bar	---	---	---	---	---	85613201	85613301	85663101
0/6 bar	---	---	---	---	---	85614201	85614301	85664101
0/10 bar	---	---	---	---	---	85615201	85615301	85665101
0/16 bar	---	---	---	---	---	85616201	85616301	85666101
0/25 bar	---	---	---	---	---	85617201	85617301	85667101
0/40 bar	---	---	---	---	---	85618201	85618301	85668101
Price €								
0/60 bar	---	---	---	---	---	85619201	85619301	85669101
0/100 bar	---	---	---	---	---	---	---	85670101
0/160 bar	---	---	---	---	---	---	---	85671101
0/250 bar	---	---	---	---	---	---	---	85672101
0/400 bar	---	---	---	---	---	---	---	85673101
Add. costs						Price €	Price €	Price €
Wetted parts 316 Ti or 316 L	---	---	---	---	---		on request	