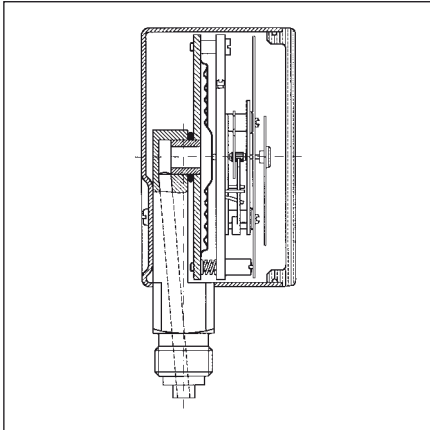


Standard capsule type pressure gauges EN 837-3



Application

For gaseous, dry media which do not attack copper alloys.

! When measuring gas or vapour, the instruments must be used in accordance with the safety recommendations of EN 837-2 (see appendix).

Types

D 2/D 3

Nominal size

63 – 80 – 100

Accuracy class (EN 837-3/6)

1.6

Ranges (EN 837-3/5)

0/25 to 0/1,000 mbar and all corresponding vacuum and compound ranges with overpressure protection

Application area

Static load:

full scale value

Dynamic load:

0.9 x full scale value

Overload safety:

1.3 x full scale value

Operating temperature range

Medium: $T_{max} = +60\text{ °C}$

Ambient: $T_{min} = -20\text{ °C}$

$T_{max} = +60\text{ °C}$

Temperature performance

Indication error when the temperature of the measuring element deviates from 20 °C:
 rising temp. approx. $\pm 0.6\%$ /10 K
 falling temp. approx. $\pm 0.6\%$ /10 K
 percentage of full scale value

Protection

IP 32 (EN 60529)

Standard version

Connection

Brass, bottom or centre back
 NG 63 G $\frac{1}{4}$ B – spanner size 14
 NG 80 – 100 G $\frac{1}{2}$ B – spanner size 22
 (EN 837-3/7.3)

Measuring element

Capsule element, CuBe alloy

Movement

Brass

Zero correction

From the front

Seal

„Perbunan“ nitrile rubber

Dial

Aluminium, white
 Dial marking black

Pointer

Aluminium, black

Housing

D 2 – black sheet steel

D 3 – stainless steel 304

Front glass

Clip-in plastic

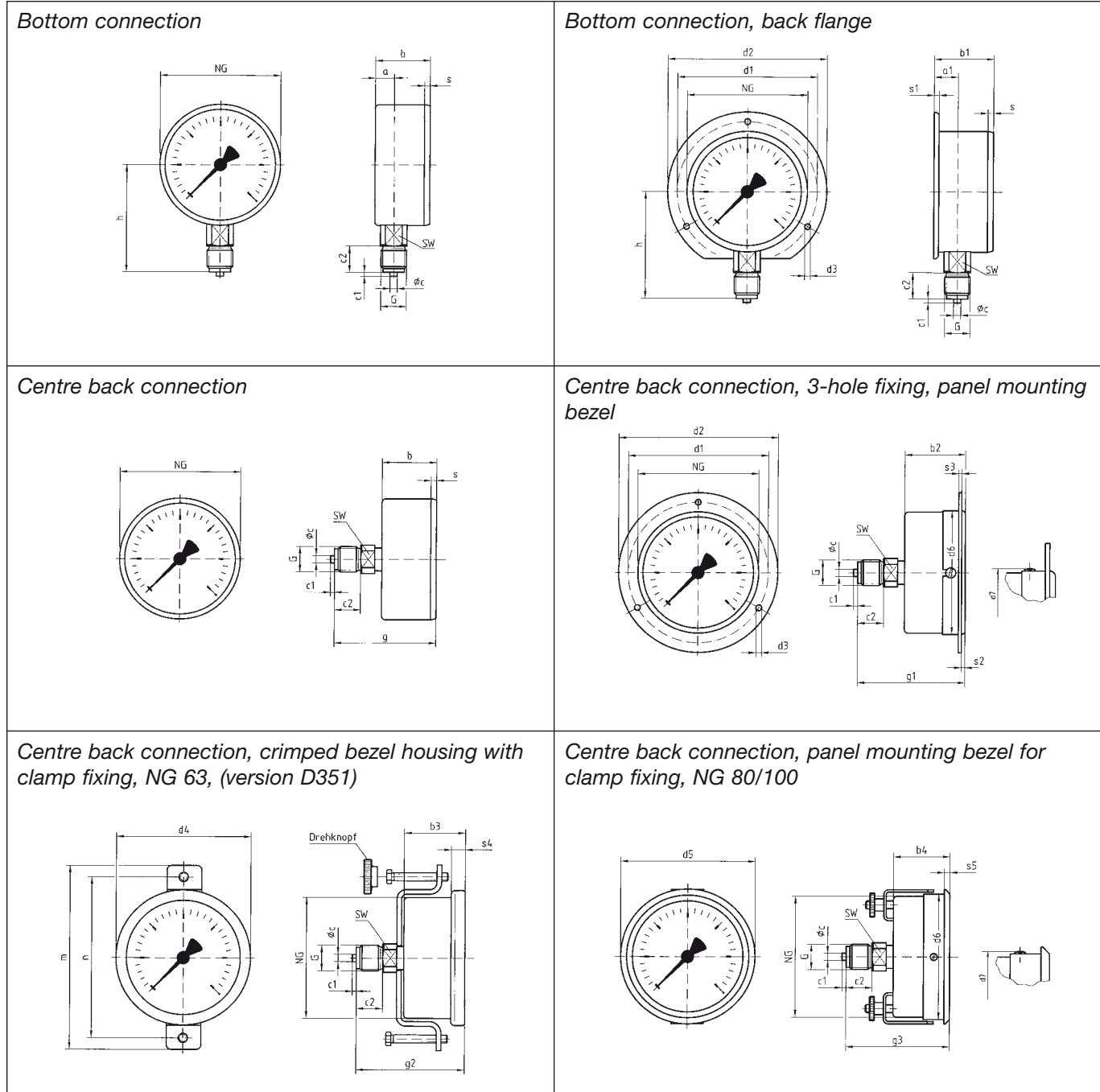
Options

- Nominal size 50
- Back flange
- Panel mounting bezel for clamp fixing
- 3-hole fixing, panel mounting bezel
- Movement stainless steel (NG 100)
- Damping screw
- Reference pointer
- Special scales

Standard capsule type pressure gauges

Type D 2/D 3 – NG 63/80/100

Housing types and dimensions



Dimensions (mm)

Nominal size (NG)	a	a1	b	b1	b2	b3	b4	ϕ_c	c1	c2	d1*	d2	d3*	d4	d5	d6	d7	G	g	g1	g2
63	9,5	12	33,7	36,2	35,7	30,5	-	5	2	13	75	85	3,5	68	68	64	66	G ¹ / ₄ B	56,7	58,7	53,5
80	14,8	17,8	43,3	46,3	44,6	-	46,5	6	3	20	95	110	4,8	-	86	81	83	G ¹ / ₂ B	75,3	76,6	-
100	15,6	19,1	44	47,5	45,6	-	47	6	3	20	116	132	4,8	-	107	101	105	G ¹ / ₂ B	76	77,6	-
Nominal size (NG)	g3	h	m	n	s	s1	s2	s3	s4	s5	SW										
63	-	52,7	94	82	3,7	5,5	3	2	7	4	14										
80	78	69	-	-	3,8	5,5	3,5	2	-	4,5	22										
100	79	87	-	-	3,5	5,5	3,5	2	-	4,5	22										

* Dimensions for NG 100 according to DIN EN 837-3