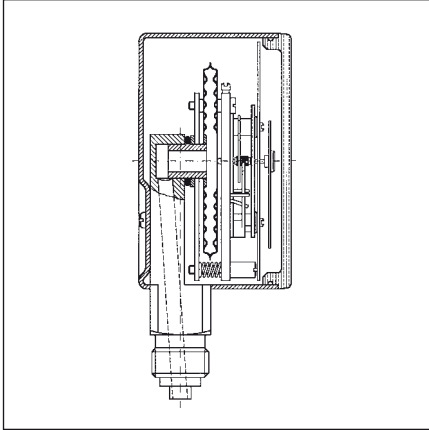


Capsule type pressure gauge for chemical applications EN 837-3



Application

For aggressive gaseous and dry media, also for use in aggressive environments.

! When measuring gas or vapour, the instruments must be used in accordance with the safety recommendations of EN 837-2 (see appendix).

Type
D 4

Nominal size
63 – 100 – 160

Accuracy class (EN 837-3/6)
1.6

Ranges (EN 837-3/5)
0/25 to 0/1,000 mbar and all corresponding vacuum and compound ranges with overpressure protection

Application area

Static load:
full scale value
Dynamic load:
0.9 x full scale value
Overload safety:
1.3 x full scale value

Operating temperature range

Medium: $T_{max} = +100\text{ °C}$
Ambient: $T_{min} = -20\text{ °C}$
 $T_{max} = +60\text{ °C}$

Temperature performance

Indication error when the temperature of the measuring element deviates from 20 °C:
rising temp. approx. $\pm 0.6\%$ /10 K
falling temp. approx. $\pm 0.6\%$ /10 K
percentage of full scale value

Protection
IP 32 (EN 60529)

Standard version

Connection
Stainless steel 316 Ti or 316 L,
bottom or centre back
NG 63 G $\frac{1}{4}$ B – spanner size 14
NG 100 – 160 G $\frac{1}{2}$ B –
spanner size 22
(EN 837-3/7.3)

Measuring element
Capsule element, stainless steel
316 Ti or 316 L

Movement
Stainless steel

Zero correction

From the front

Seal
FKM (Viton)

Dial
Aluminium, white
Dial marking black

Pointer
Aluminium, black

Housing
Stainless steel 1.4301

Bayonet type bezel
Stainless steel 1.4301

Front glass
Laminated safety glass

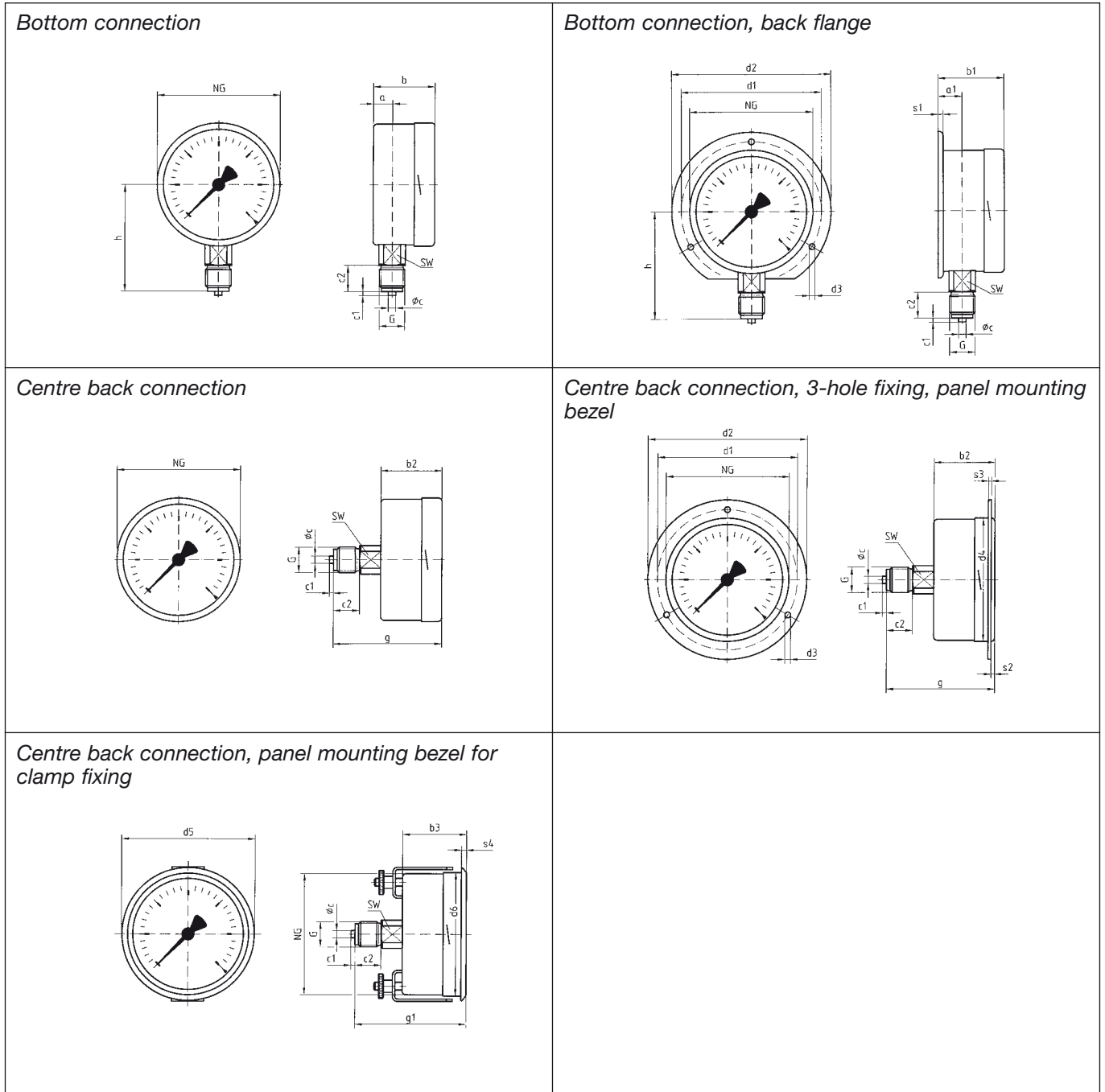
Options

- Back flange
- Panel mounting bezel for clamp fixing
- 3-hole fixing, panel mounting bezel
- Damping screw
- Special scales

Capsule type pressure gauge for chemical applications

Type D 4 – NG 63/100/160

Housing types and dimensions



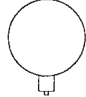

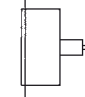
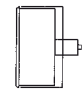
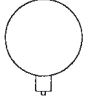

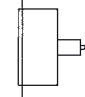
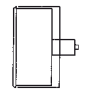
Dimensions (mm)

Nominal size (NG)	a	a ₁	b	b ₁	b ₂	b ₃	Øc	c ₁	c ₂	d ₁ *	d ₂	d ₃ *	d ₄	d ₅	d ₆	G	g	g ₁	h	s ₁	s ₂
63	10.8	13.4	40	42.1	37	37	5	2	13	75	85	3.5	64	68	64	G _{1/4} B	60	60	53	5.2	3
100	15.6	19.1	49	52.5	49	49	6	3	20	116	132	4.8	104	107	101	G _{1/2} B	81	81	86	5.5	4
160	17.5	20.5	50	53	50	52	6	3	20	178	196	5.8	164	167	161	G _{1/2} B	82	84	116	6	4
Nominal size (NG)	s ₃	s ₄	SW																		
63	2	3	14																		
100	2	4	22																		
160	2	4.5	22																		

* Dimensions for NG 100 according to DIN EN 837-3

Capsule type pressure gauges for chemical applications EN 837-3

DG: M

Type	KP63Ch,D402	KP63Ch,D412	KP63Ch,D432	KP63Ch,D452	KP100Ch,D402	KP100Ch,D412	KP100Ch,D432	KP100Ch,D452
Version								
Housing-Ø	63	63	63	63	100	100	100	100
Housing	Stainless steel 304 with bayonet type bezel, laminated safety front glass							
Meas. elem.	Capsule element, stainless steel 316 Ti or 316 L							
Accuracy class	1,6	1,6	1,6	1,6	1,6	1,6	1,6	1,6
Connection	G ¹ / ₄ B	G ¹ / ₄ B	G ¹ / ₄ B	G ¹ / ₄ B	G ¹ / ₂ B	G ¹ / ₂ B	G ¹ / ₂ B	G ¹ / ₂ B
			3-hole fixing, panel mounting bezel, 304, polished	Panel mounting bezel, 304, polished, clamp fixing			3-hole fixing, panel mounting bezel, 304, polished	Panel mounting bezel, 304, polished, clamp fixing
Range (mbar)	Part no.	Part no.	Part no.	Part no.	Part no.	Part no.	Part no.	Part no.
Price €								
-25/0	35004402	35004412	35004432	35004452	35104402	35104412	35104432	35104452
-40/0	35005402	35005412	35005432	35005452	35105402	35105412	35105432	35105452
-60/0	35006402	35006412	35006432	35006452	35106402	35106412	35106432	35106452
-100/0	35007402	35007412	35007432	35007452	35107402	35107412	35107432	35107452
-160/0	35008402	35008412	35008432	35008452	35108402	35108412	35108432	35108452
-250/0	35009402	35009412	35009432	35009452	35109402	35109412	35109432	35109452
-400/0	35010402	35010412	35010432	35010452	35110402	35110412	35110432	35110452
-600/0	35011402	35011412	35011432	35011452	35111402	35111412	35111432	35111452
-1000/0	35012402	35012412	35012432	35012452	35112402	35112412	35112432	35112452
Price €								
0/25	35016402	35016412	35016432	35016452	35116402	35116412	35116432	35116452
0/40	35017402	35017412	35017432	35017452	35117402	35117412	35117432	35117452
0/60	35018402	35018412	35018432	35018452	35118402	35118412	35118432	35118452
0/100	35019402	35019412	35019432	35019452	35119402	35119412	35119432	35119452
0/160	35020402	35020412	35020432	35020452	35120402	35120412	35120432	35120452
0/250	35021402	35021412	35021432	35021452	35121402	35121412	35121432	35121452
0/400	35022402	35022412	35022432	35022452	35122402	35122412	35122432	35122452
0/600	35023402	35023412	35023432	35023452	35123402	35123412	35123432	35123452
0/1000	35024402	35024412	35024432	35024452	35124402	35124412	35124432	35124452

