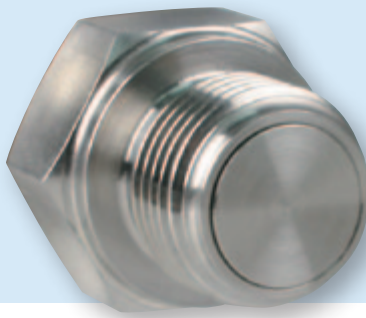


Piston type chemical seal KD 21



- **Piston instead of diaphragm: For extremely rough conditions with abrasive media**
- **For pressures from 10 bar to 600 bar**
- **Robust and reliable pressure measurement**
- **Shock- and vibration-resistant**



Application For use with Bourdon tube pressure gauges, pressure transducers or pressure switches. For corrosive, polluted and abrasive suspensions at high pressures. Specially for pressure measurements of waste water, drilling water, sludge, concrete, plaster and minerals.

Technical specifications

Process connection

Stainless steel 316 L
Thread G½B to G2B, ½-14 NPT to 2-11½ NPT

Seal

FKM (Viton)

Pressure connection

Stainless steel 316 L
Flush

Instrument connection

Welded connection

Pressure transmission liquid

Paraffin oil (FM 09), FDA-listed

Pressure ranges

0/10 bar to 0/600 bar

Nominal pressure

PN 600

Accuracy

With pressure gauge cl. 2.5
With pressure transducer 1.0 % FS

Operating temperature ranges

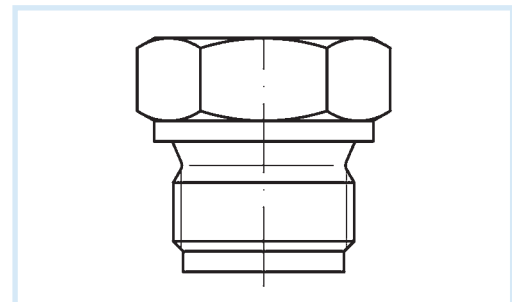
Ambient: -10/+55 °C
Medium: -10/+80 °C

Can be mounted to

- Bourdon tube pressure gauges
NG 50, 63, 80, 100, 160 and RF 130 PG
- Pressure transducer DMU
- Pressure switch DS

Options

- Adapter for instrument connection G¼/G½
- Capillary tube
- Flange connections EN, ANSI, JIS
- Other process connections
- Other materials
- Other filling liquids, except for Neobee M20 (FM 10)
- Other measuring ranges



DG: M

Nominal pressure	Process connection	Instrument connection	Minimum range* (in bar) at nominal size				Part no.	Price €
			63	100	160	DMU		
PN 600	G½B	welded	10	16	16	10	31420W	
PN 600	G¾B	welded	10	16	16	10	31421W	
PN 600	G1B	welded	10	16	16	10	31422W	
PN 600	G1½B	welded	10	16	16	10	31423W	
PN 600	G2B	welded	10	16	16	10	31424W	
PN 600	½-14 NPT	welded	10	16	16	10	31425W	
PN 600	¾-14 NPT	welded	10	16	16	10	31426W	
PN 600	1-11½ NPT	welded	10	16	16	10	31427W	
PN 600	1½-11½ NPT	welded	10	16	16	10	31428W	
PN 600	2-11½ NPT	welded	10	16	16	10	31429W	

* Valid for standard pressure transmission liquid with direct mounting (without capillary tube) at a room temperature and temperature of the medium of 20 °C.