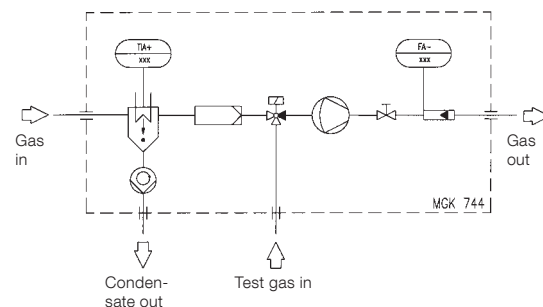


# Gas treatment system MGK 744



- **Compact design 1/2 19" rack housing**
- **Can be used as a portable or stationary gas treatment system**

Gas flow chart MGK 744



**Application** For gas analysis systems which withdraw a gas sample for the analysis process. Especially for long-term or continuous measurements and measurements involving pollution and/or condensate. Decisive for precise and reproducible measuring results.

**Description** Compact, portable and stationary gas treatment system in 1/2 19" rack housing with permanently installed Peltier gas cooler which cools down the gas to be measured to a temperature of +5 °C, irrespective of the sampling temperature or the ambient temperature. With hose pump for automatic condensate removal, gas pump, extra fine particle filter and flow meter with needle valve. The gas treatment system is equipped with a status unit for detecting the operating state of the cooler as well as an additional master switch for the gas pump.

- Gas cooling: To +5 °C with Peltier gas cooler
- Gas filtration: Fine particulate filter
- Gas flow: Flow setting by means of rotameter and needle valve
- Gas transport: Gas pump
- Condensate transport: Condensate removal by means of hose pump

## Technical specifications

### Operating temperature range

Ambient: +5/+40 °C  
Storage: -15/+55 °C

### Gas outlet dew point

5 °C

### Gas inlet

Max. 40 °C dew point  
Max. 80 °C Gas temperature at 50 l/h and 20 °C ambient temperature

### Gas flow and filtration

- 60 l/h at 200 mbar
- Fine particulate filter with glass fibre filter 2 µm

### Status indication of gas cooler

via LEDs at the front

- Temperature ok
- Cooling active
- Fault

### Connection

Hose: 4 x 1 mm compression fitting

### Wetted parts

Duran glass, PA, PC, Viton

### Supply voltage

AC 230 V/50 Hz, 60 W

### Housing

W x H x D: 42 HP x 3 U x 290 mm  
Weight: Approx. 4.5 kg  
Degree of protection: IP 20 (EN 60529)

### Options

- 3/2 solenoid distribution valve (operation via switch on the front side or via digital input)
- Desktop/portable housing 1/2 19", 3 U

DG: E	Part no.	Price €
<b>Gas treatment system MGK 744</b>	69640	
Options		
<b>Extra charge for 3/2 solenoid distribution valve</b>	69641	
<b>Extra charge for desktop/portable housing</b>	69642	