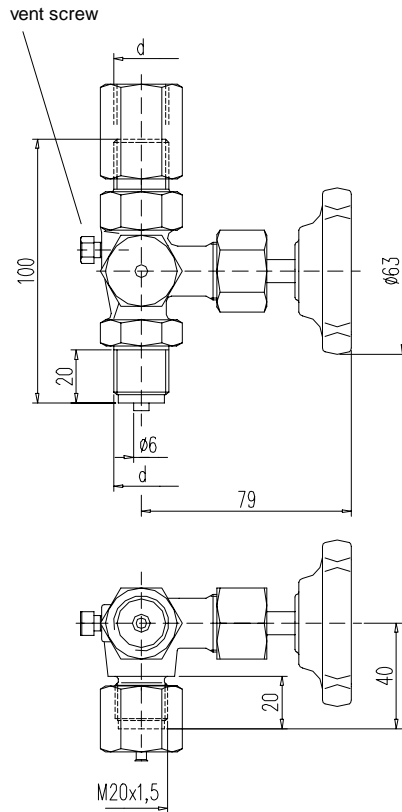
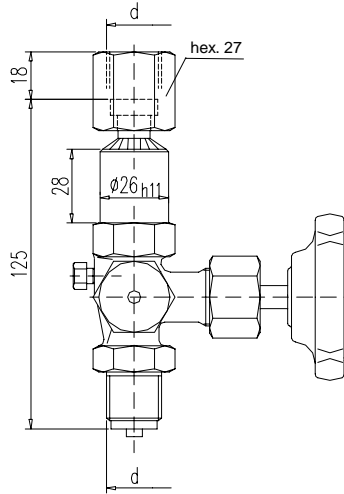
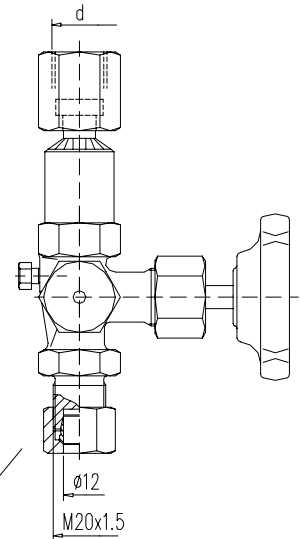


Design A

 with adjusting nut
 DIN 16 283

Design B

 with swivel nut and shaft for
 pressure gauge support

Design B - AS12

 tube fitting
 O. D. 12 mm
 line S

D V G W - Registration
DVGW-Register-No.

DG-4315BQ0226

MOUNTING ACCESSORIES see section 10

PN	Connection thread d	Material	Part no.		
			Design A	Design B	Design B-AS12
100	G 1/2	brass	S004.27.000	S004.27.020	-
		steel	S004.27.100	S004.27.120	S004.27.120.13
		st. st.	S004.27.200	S004.27.220	S004.27.220.13

Components	Brass	Steel	Stainless steel
	DIN - Material Number		
Body	brass	1.0460	1.4571
Valve stem	1.4104		1.4571
Needle tip	1.4104		1.4571
O-rings	FPM		
O-ring retainer	brass		1.4571
Sealing cap	galv. steel	steel	stainless steel
Union nut	galv. steel	steel	stainless steel
Adjusting nut	brass	steel	stainless steel
Swivel nut	brass	steel	1.4571
Vent screw	1.4571		
Handwheel	plastic		

- **Body:** brass: pressed part
steel / stainless steel: die-pressed part
- **Surface:** steel phosphatized
- Internal stem thread
- Stem with colled rolled surface and non-rotating needle tip
- Max. operating pressure: 100 bar
Temperature: - 5°C bis + 60°C
- Basis of type examination: DVGW VP 308
- For all kinds of gas in accordance with DVGW-list number G 260
- Available with inspection certificate 3.1 acc. to EN 10 204