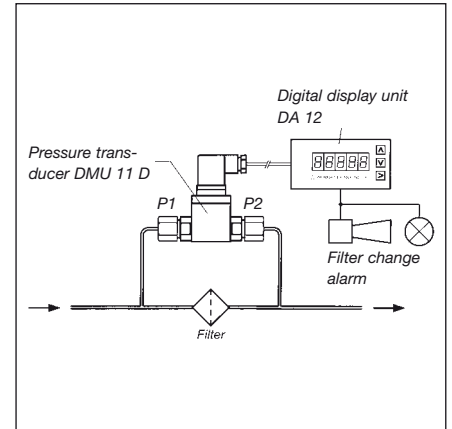
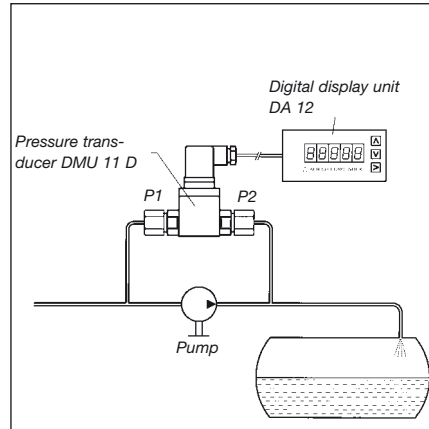


Pressure transducers DMU 11 D

Differential pressure version



Application

For electronic differential pressure measurement in industrial applications. For aggressive gaseous and liquid media, which are not highly viscous and do not crystallize.

Description

The DMU 11 D pressure transducers feature two piezo-resistive stainless steel measuring cells. When pressure is applied, the pressure difference between the positive side and the negative side is converted into a current signal, which is proportional to the differential pressure.

Features:

- High overload safety
- Compact design
- Overvoltage protection
- Mechanically robust and reliable, suitable for use in applications where vibration or shocks occur

Accuracy of measurement

Deviation characteristics according to IEC 60770 - limit point setting (non-linearity, hysteresis, repeatability): < +0.5 % FSO

Measuring ranges/overload safety

Nominal pressure (bar)	Diff. pressure range (bar)	Max. static pressure on one side (bar)
0.4	0/0.04 up to 0/0.4	1
1.0	0/0.1 up to 0/1.0	3
2.5	0/0.25 up to 0/2.5	6
6.0	0/0.6 up to 0/6.0	20
16	0/1.6 up to 0/16	60

Operating temperature range

Medium: -25 °C/+125 °C
 Ambient: -25 °C/ +85 °C
 Storage: -40 °C/+100 °C

Temperature error band

In compensated range
 0–70 °C ≤ 1.5 % FSO
 Nominal pressure 0.4 bar ≤ 2 % FSO

Dynamic characteristics

Response time < 5 ms

Process connection

2 x G¹/₂B (EN 837-1/7.3)

Materials

Housing: aluminium
 Pressure-connection: stainless steel 1.4571
 Diaphragm: stainless steel 1.4435
 Seal: FKM (Viton)

Output signal/supply voltage

4–20 mA DC 12–36 V
 2-wire

Load

4–20 mA ≤ $\frac{U_B - U_{Bmin}}{0,02 A}$

Current input

4–20 mA < 25 mA

Protective electrical measures

Short circuit proof and polarity protected

Electrical connections (protection)

Plug and DIN 43650-A (IP 65)

CE conformity (EMC)

EN 61326

Accessories

- Fixing bracket (included)

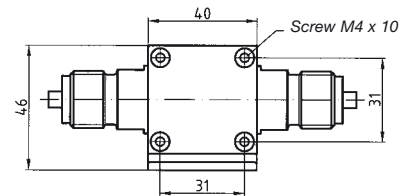
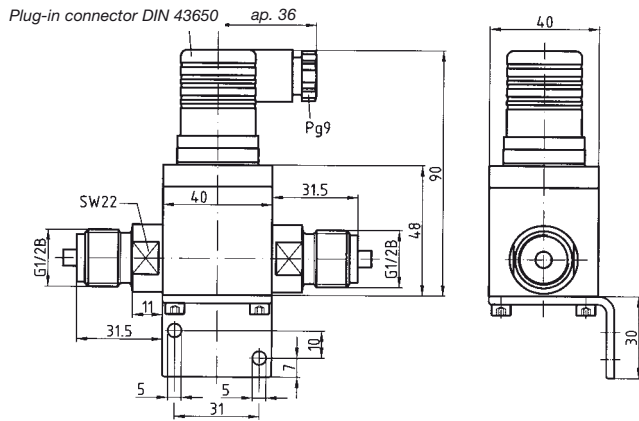
Options

- Other process connections
- Other electrical connections
- Other seal materials
- Fitting of diaphragm seal

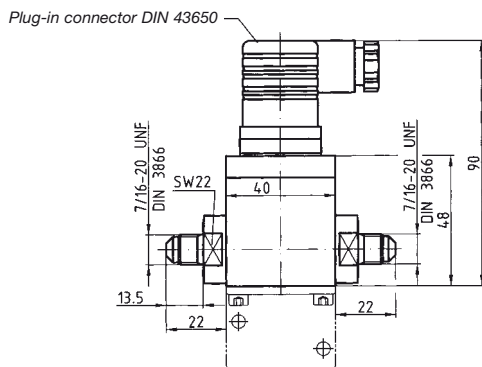
Pressure transducers DMU 11 D

Dimensions (in mm) and electrical connections

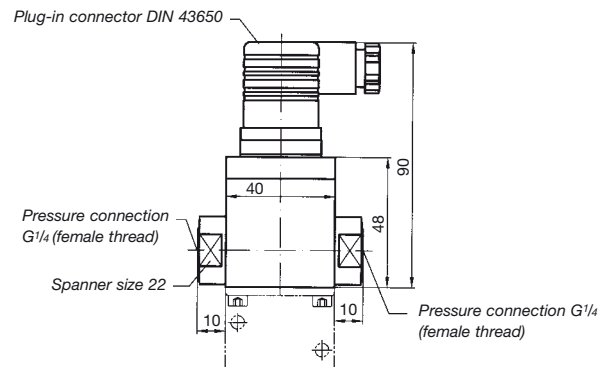
Connection 2 x G¹/₂B EN 837



Connection 2 x 7/16 UNF

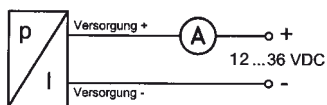


Connection 2 x G¹/₄ female thread



Wiring diagram

2-wire 4-20 mA



Pin assignment table

Assignment	DIN 43650
2-wire system: Supply +	1
(4-20 mA) Supply -	2
Earth	Earth contact