

Conductivity alarm unit

CoFox® ELT 500/4



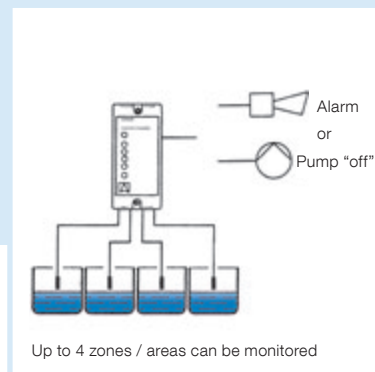
- For conductive media such as water, waste water, emulsions and many more.
- With visual alarm and Reset button
- Relay contact for connection of additional alarm equipment
- Up to 4 zones can be monitored



Page 65



Page 592



Application Suitable for use with electrically conductive liquids which do not foam excessively, are not viscous and not adhesive (bridging), e.g. water, emulsions or waste water. Ideal for generating alarms in large installations and facilities. Several zones (also large areas) can be monitored simultaneously with electrodes (probes) at various points.

Description The CoFox® ELT 500/4 level controller operates on the basis of conductivity. The electrodes connected to the control unit monitor the status at several points. When one or several electrodes are bridged, the red LED belonging to the corresponding electrode circuit is switched on. For fast and precise location of the leak, a label is provided for each LED. A common voltage-free relay contact can be used to control separate alarm devices (e.g. alarm light or horn). The function is only activated by electrode signals which are longer than 1 second in duration. The alarm is saved and cannot be reset for the duration of the signal. The alarm condition must be cleared before the alarm can be reset by means of the Reset button on the device.

CoFox® ELT 500/4 can be cascaded for large area monitoring from a centralised location.

Technical specifications

Zone monitoring

4 input circuits

Response threshold

50 kOhm

Operating temperature range

Ambient: -10/+50 °C

Supply voltage

AC 230 V

Power input

3 VA

Probe circuit

Max. AC 3 V

Switching output

Relay contact: 1 voltage-free changeover contact

Contact rating: AC 250 V 500 VA

Visual indication

Yellow LED: Power on

4 red LEDs: Alarm condition

Housing

Wall mounting housing with plug-in base, impact-resistant plastic (ABS)

W x H x D: 53 x 113 x 108 mm

Degree of protection

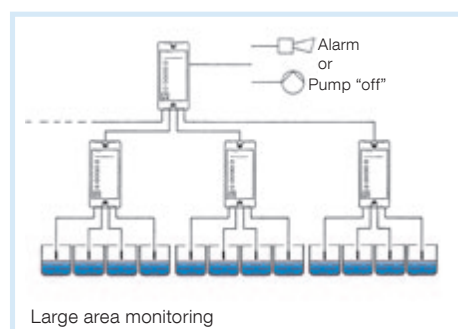
IP 30 (EN 60529)

Scope of delivery

Level switch without probe



See page 39/40 for probes for level switches; page 96 for additional application examples.



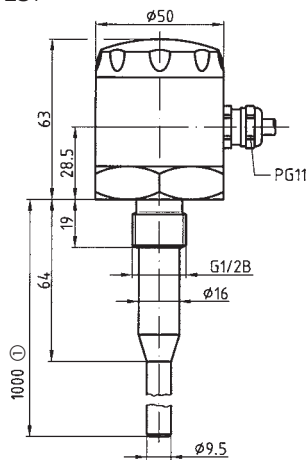
Version	DG	Part no.	Price €
ELT 500/4 AC 230 V	E	53505	
Accessories			
Alarm acknowledgement unit AQ 220	H	53230	
Combined alarm light and horn	G	61020	
Cable extension fitting KVA	G	40041	

Probes for conductivity level switches, suitable for CoFox® ELT 8, ELT 500/4, ELT 680

Types and dimensions (mm)

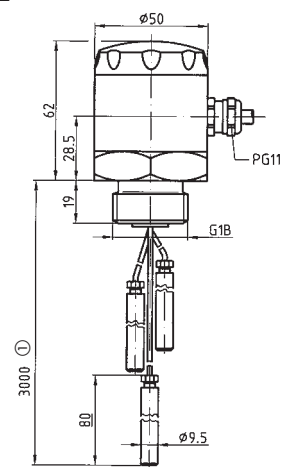
1

Single-rod probe LST
12



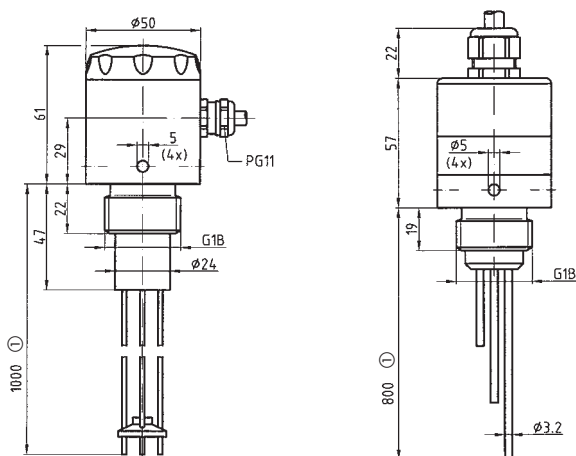
① Standard length (can be shortened)

Flexible probe LSE
23



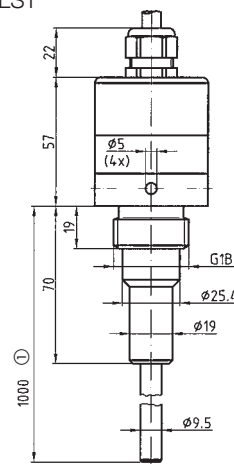
① Standard length (can be shortened)

Multi-rod probes LSM 01/LSM 02



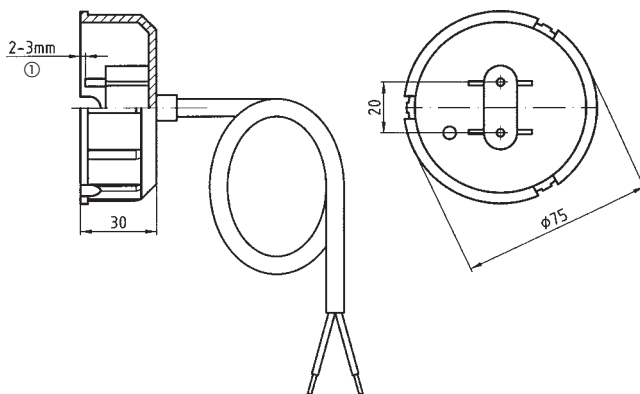
① Standard length (can be shortened)

Single-rod probe LST
32



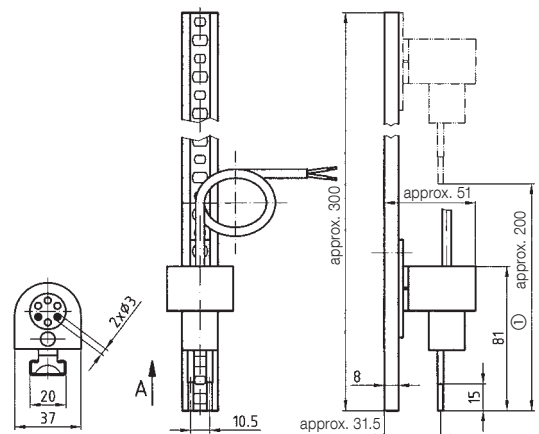
① Standard length (can be shortened)

Floor water probe BWS 11



① Response level

Wall mounting rail probe
WSS



① Adjustment range


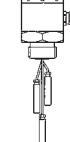
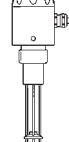
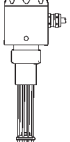
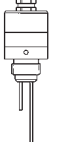
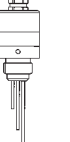

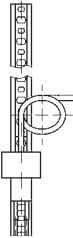
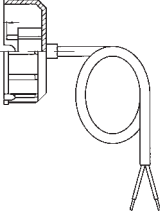
i

Many other probe versions are available. Please enquire.

Probes for conductivity level switches, suitable for CoFox® ELT 8, ELT 500/4, ELT 680

DG: E

1

Type	Single-rod probe LST 12	Flexible probe LSE 23	Triple-rod probe LSM 01	Quadruple-rod probe LSM 01	Dual-rod probe LSM 02	Triple-rod probe LSM 02	Single-rod probe LST 32
Version							
Type number	6921 21 1000	6622 27 1030	6272 14 1230	6272 14 1240	6812 24 002P	6812 24 003P	6812 21 000P
Suitable for	CoFox® ELT 8 / CoFox® ELT 680						
Price €							
Part no.	55312	55323	55034	55021	55041	55044	55332
Probe head							
Material	Aluminium, screw cover ABS	Aluminium, screw cover ABS	PVC, screw cover ABS	PVC, screw cover ABS	Stainless steel 316 Ti	Stainless steel 316 Ti	Stainless steel 316 Ti
Electrical connection	PG 11	PG 11	PG 11	PG 11	2 m fixed cable	2 m fixed cable	2 m fixed cable
Degree of protection	IP 66	IP 65	IP 65	IP 65	IP 66	IP 66	IP 66
Process connection	G½B	G1B	G1B	G1B	G1B	G1B	G1B
Electrodes							
Number	1	3	3	4	2	3	1
Material	316 Ti	316 Ti	316 Ti	316 Ti	316 Ti	316 Ti	316 Ti
Insulator	PTFE	PTFE	Epoxy resin	Epoxy resin	PTFE	PTFE	PTFE
Diameter	9.5 mm	9.5 mm	3.2 mm	3.2 mm	3.2 mm	3.2 mm	9.5 mm
Length	1,000 mm	3,000 mm	1,000 mm	1,000 mm	800 mm	800 mm	1,000 mm
Application area							
Process pressure	0/3 bar	0/2 bar	0/3 bar	0/3 bar	0/10 bar	0/10 bar	-1/+20 bar
Temperature of medium	-20/+150 °C	2 bar: 0/50 °C 1 bar: 0/100 °C	0/50 °C	0/50 °C	-20/+120 °C	-20/+120 °C	-20/+220 °C
Wall mounting rail probe WSS							
	Application	Height-adjustable wall mounting probe, suitable for CoFox® ELT 500/4 / CoFox® ELT 8 / CoFox® ELT 680					
	Price €						
	Part no.	55050					
	Temperature of medium	0/50 °C					
	Adjustment range	Approx. 200 mm					
	Electrical connection	Permanently installed cable, 150 cm					
Floor water probe BWS 11							
	Application	Suitable for CoFox® ELT 500/4 / CoFox® ELT 8 / CoFox® ELT 680					
	Price €						
	Part no.	55111					
	Response level	Approx. 2–3 mm					
	Temperature of medium	0/50 °C					
	Probe diameter	75 mm					
	Material	PP, black					
	Electrical connection	Permanently installed cable, 150 cm					

i

Select according to the operating conditions. Special customised probes are available in addition to the standard probes listed. Please enquire.