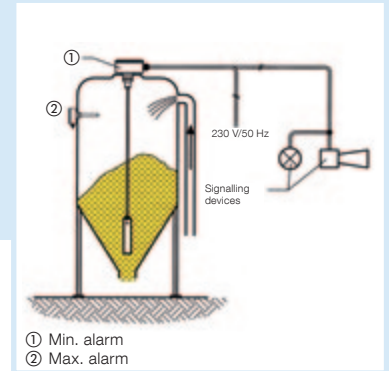


Compact capacitance level switch

CapFox® ENT 7



- Specially designed for powdered and finely grained bulk solids or liquids
- For rough application conditions
- Relay contact for connection of external equipment or alarm units
- Optional high-temperature version (HT)



Application Suitable for detecting levels of powdered and finely grained bulk solids or of liquids. Especially suitable for use in silos, hoppers, tanks and containers.

Description The compact capacitance level switch CapFox® ENT 7, the control unit and the probe form a unit. The device can be supplied with a flexible probe or a rod probe. The probes, rigid or flexible (tensioned, if required), can be mounted horizontally, vertically or at an angle. Flexible probes can be retrofitted to the control unit via an adapter. The response sensitivity is adjustable. CapFox® ENT 7 features a voltage-free relay contact which switches when the limit value is reached. The contact can be used to control external equipment such as flaps or sliders, pumps, visual or audible alarms (e.g. alarm lamp, horn or event reporting system EMS) or to transmit the signal to a PLC. Minimum or maximum fail-safe modes can be selected as required.

Technical specifications

Capacitance range
0–200 pF

Operating temperature range
Medium: -20/+80 °C
Ambient: -20/+60 °C

Process pressure
Atmospheric pressure

Process connection
G1½B

Rod probe
Stainless steel 316 Ti, partially PP-insulated, probe length 300 mm (min. length 300 mm – max. length 1,000 mm) or fully PTFE-insulated, probe length 300 mm

Flexible probe
Stainless steel 316 Ti, fully PP-insulated
Probe length 3,000 mm
(min. length 1,000 mm – max. length 6,000 mm)

Supply voltage
AC 230 V

- Options**
- Supply voltage DC 24 V
 - Other probe lengths
 - Other probe designs
 - High-temperature version (HT) up to max. 220 °C

Power input
5 VA

Switching output
Relay contact: 1 voltage-free changeover contact
Contact rating: AC 250 V, 4 A (resistive load)

Fail-safe mode
Integrated selector for min. or max. fail-safe mode (low/high)

Housing
Impact-resistant plastic (ABS)
W x H x D: 104 x 65 x 144 mm

Degree of protection
IP 65 (EN 60529)

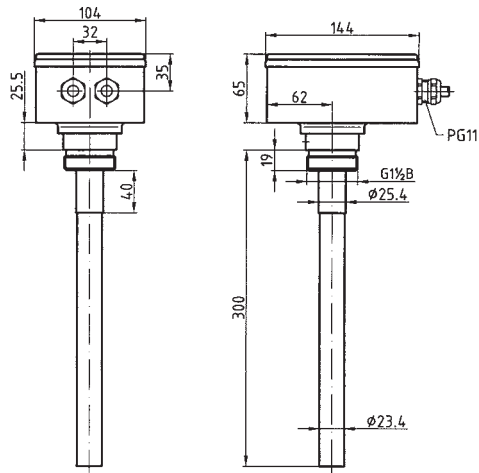
Electrical connections
2 x cable gland PG 11

DG: E	Part no.	Price €
ENT 7, 300 mm partially PP-insulated	52701	
Extra charge probe extension per 100 mm		
ENT 7, 300 mm fully PTFE-insulated	52707	
ENT 7, 3 m flexible probe	52708	
Extra charge probe extension per m		
ENT 7 HT high temperature version up to max. 220 °C (300 mm active probe length)	52709	

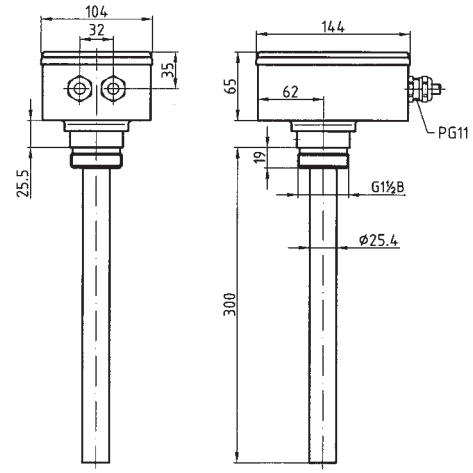
Capacitance level switch CapFox® ENT 7

1 Types and dimensions (mm)

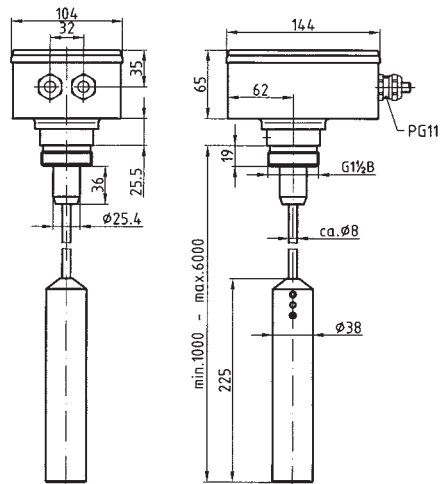
CapFox® ENT with rod probe, partially PP-insulated



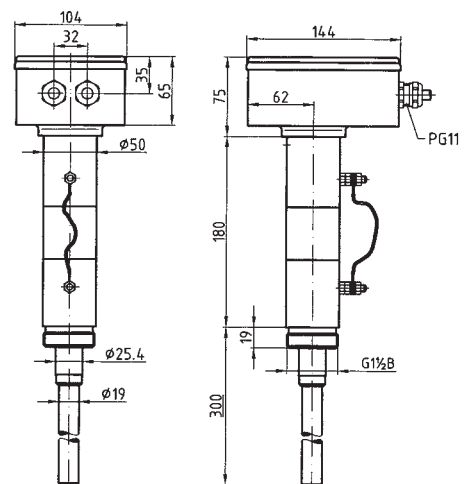
CapFox® ENT 7 with rod probe, fully PTFE-insulated



CapFox® ENT 7 with flexible probe



CapFox® ENT 7 HT with high-temperature barrier



i

Many other probe versions are available. Please enquire.