

Bimetal Thermometers For heating Model 46

WIKA Data Sheet TM 46.02

Applications

- For heating facilities
- Hot water boiler
- Solar power systems
- Heat transfer systems

Special features

- Reliable and economical
- Nominal size 50, 63, 80 and 100
- Scale ranges up to -30 ... 120 °C

Description

Nominal size in mm

50, 63, 80, 100

Temperature element

Coiled bimetal

Range of application

Full scale value

Case

Models A46.10/11: Aluminium

Model A46.20: Steel, zinc plated

Model A46.30: Plastic, black

Dial

Aluminium, white, lettering black

Pointer

Models A46.20/30: Plastic, black

Model A46.10/11: Aluminium, black

Window

Acrylic plastic

Location of stem

Centre back



Bimetal Thermometer Model A46.20.063



Bimetal Thermometer Model A46.11.063



Bimetal Thermometer Model A46.30.063

Design of connection

■ With thermowell - Models A46.10/20/30

Stem with detaching thermowell, friction retained

Cu-alloy

Length $l_1 = 40, 60, 100$ mm

Pressure rating of thermowell 6 bar maximum

Connection

Thermowell G $\frac{1}{2}$ B

Zero adjustment

At bottom of stem

Stem

Models A46.10/30: $\varnothing 9$ mm, Aluminium

Model A46.20: $\varnothing 9$ mm, Cu-alloy

■ Clip-on thermometer - Model A46.11

With fin and strap

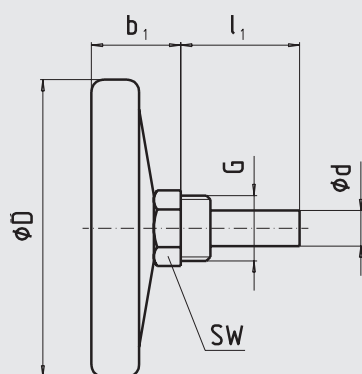
Options

- Other measuring ranges
- Special scales
- Window: Instrument glass
- Designs according for medical applications, on request

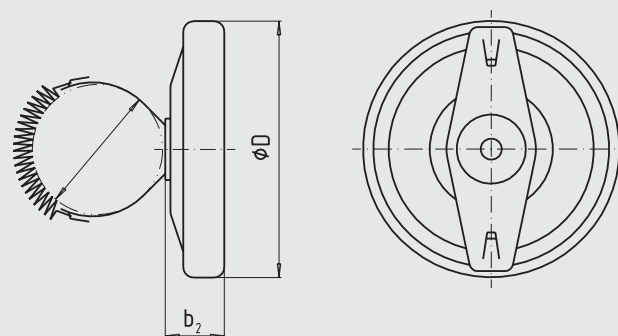
Dimensions in mm

Standard version

Model A46.10 with case aluminium
Centre back connection



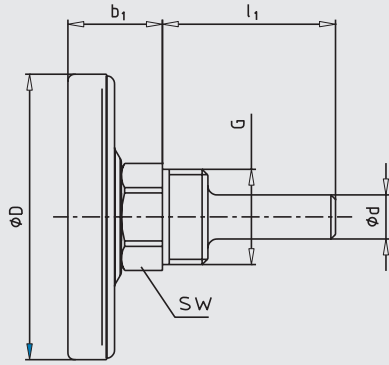
Model A46.11 clip-on thermometer with fin and strap



NS	Dimensions in mm							Weight in kg	
	b_1	b_2	$\varnothing d$	$\varnothing D$	G	l_1	SW	Clip-on	
63	23	21	12 ¹⁾	63	G $\frac{1}{2}$ B	40, 60, 100	21	0.065	0.04
80	25	22	12 ¹⁾	80	G $\frac{1}{2}$ B	40, 60, 100	21	0.080	0.06
100	30	-	12 ¹⁾	100	G $\frac{1}{2}$ B	40, 60, 100	21	0.105	-

1) $\varnothing d = 11$ mm with thermowell length $l_1 = 100$ mm

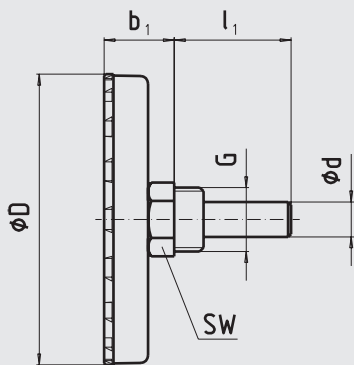
Model A46.20 with case steel
Centre back connection



NS	Dimensions in mm						Weight in kg
	b ₁	Ø d	Ø D	G	l ₁	SW	
63	23	12 ¹⁾	63	G ½ B	40, 60, 100, 160	21	0.04
80	23	12 ¹⁾	80	G ½ B	40, 60, 100, 160	21	0.06
100	23	12 ¹⁾	100	G ½ B	40, 60, 100, 160	21	0.08

1) Ø d = 11 mm with thermowell length l₁ = 100 mm

Model A46.30 with case plastic
Centre back connection



3128380.01

NS	Dimensions in mm						Weight in kg
	b ₁	Ø d	Ø D	G	l ₁	SW	
50	23	12 ²⁾	50	G ½ B	40, 60, 100, 160 ¹⁾	21	0.06
63	23	12 ²⁾	63	G ½ B	40, 60, 100, 160 ¹⁾	21	0.07
80	24.5	12 ²⁾	80	G ½ B	40, 60, 100, 160 ¹⁾	21	0.08
100	24.5	12 ²⁾	100	G ½ B	40, 60, 100, 160 ¹⁾	21	0.10

1) l₁ = 160 mm thermowell with retainer screw only

2) Ø d = 11 mm with thermowell length > 100 mm

Ordering information

Model / Nominal size / Scale range / Connection / Length l_1 / Options

Modifications may take place and materials specified may be replaced by others without prior notice.
Specifications and dimensions given in this leaflet represent the state of engineering at the time of printing.



WIKA Alexander Wiegand GmbH & Co. KG
Alexander-Wiegand-Straße 30
63911 Klingenberg/Germany
Tel. (+49) 9372/132-0
Fax (+49) 9372/132-406
E-mail info@wika.de
www.wika.de