

Bourdon Tube Pressure Gauges Test Gauge Series, Class 0.6 Model 312.20

WIKA Data Sheet PM 03.01



Applications

- For gaseous and liquid media that are not highly viscous or crystallising and will not attack copper alloy parts
- Precision measurement in laboratories
- High-accuracy pressure measurement
- Testing of industrial type pressure gauges

Special Features

- Knife edge pointer for optimal accuracy of reading
- Precise movement with wear parts of argentan
- Scale ranges up to 0 ... 600 bar



Test Gauge Series Model 312.20

Description

Design

EN 837-1

Nominal size in mm

160

Accuracy class

0.6

Scale ranges

0 ... 0.6 to 0 ... 600 bar
or all other equivalent vacuum or combined pressure and vacuum ranges

Adjustment medium

≤ 25 bar: gas
> 25 bar: liquid

Pressure limitation

Steady: full scale value
Fluctuating: 0.9 x full scale value
Short time: 1.3 x full scale value

Operating temperature

Ambient: -40 ... +60 °C
Medium: +80 °C maximum

Temperature effect

When the temperature of the measuring system deviates from the reference temperature (+20 °C):
max. ±0.4 %/10 K of full scale value

Ingress protection

IP 54 in EN 60 529 / IEC 529

Standard version

Process connection

Cu-alloy,
lower mount (LM) or lower back mount (LBM)
G ½ B (male), 22 mm flats

Pressure element

< 100 bar: Cu-alloy, C-type
≥ 100 bar: Stainless steel, helical type

Movement

Cu-alloy, wear parts argentan

Dial

Aluminium, white, black lettering

Pointer

Knife edge pointer, aluminium, black

Case

Stainless steel

Window

Instrument glass

Bezel ring

Cam ring (bayonet type), stainless steel

Options

- Other process connection
- Liquid filling (model 333.50, data sheet PM 03.06)
- Increased medium temp. to 100 °C with special soft solder
- Increased medium temp. up to 200 °C (data sheet PM 03.06)

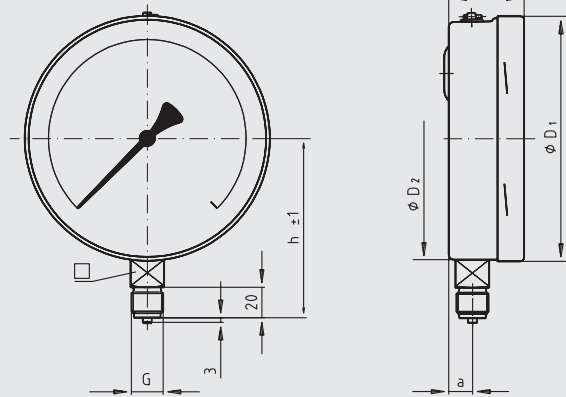
Further options

- Panel or surface mounting flange, stainless steel
- Triangular bezel, stainless steel, polished, with clamp
- Higher accuracy class: class 0.25
- Mirror band scale
- Zero point adjustable from outside (adjustable dial)
- Adjustment medium gas from 25 bar
- Alarm contacts (data sheet AC 08.01)

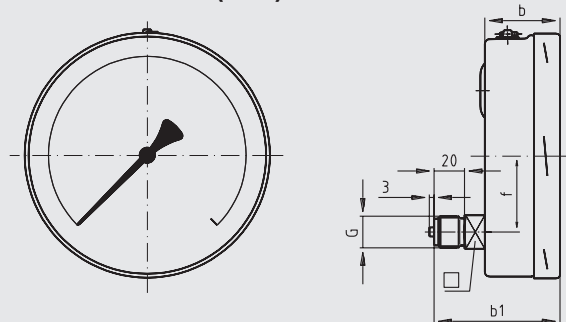
Dimensions in mm

Standard version

Lower mount (LM)



Lower back mount (LBM)



110845290.01

NS	Dimensions in mm											Weight in kg
	a	b	b ₁	b ₂	D ₁	D ₂	e	f	G	h ± 1	flats	
160	15.5	49.5 ¹⁾	49.5 ¹⁾	83 ¹⁾	161	159	17.5	50	G ½ B	118	22	1.10

Process connection per EN 837-1 / 7.3

¹⁾ Plus 16 mm with scale ranges ≤ 4 bar and ≥ 100 bar

Ordering information

Model / Nominal size / Scale range / Connection size / Connection location / Options

Modifications may take place and materials specified may be replaced by other without prior notice.
Specifications and dimensions given in this leaflet represent the state of engineering at the time of printing.



WIKAL Alexander Wiegand GmbH & Co. KG
Alexander-Wiegand-Straße 30
63911 Klingenberg/Germany
Tel. (+49) 9372/132-0
Fax (+49) 9372/132-406
E-mail info@wika.de
www.wika.de